

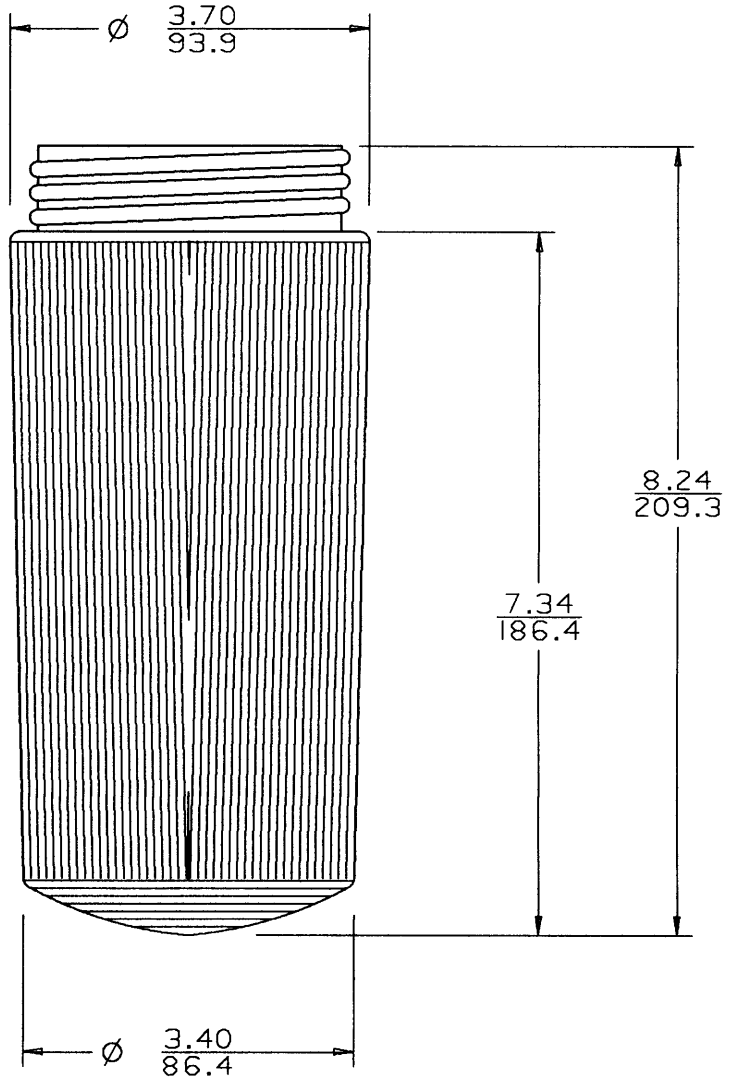
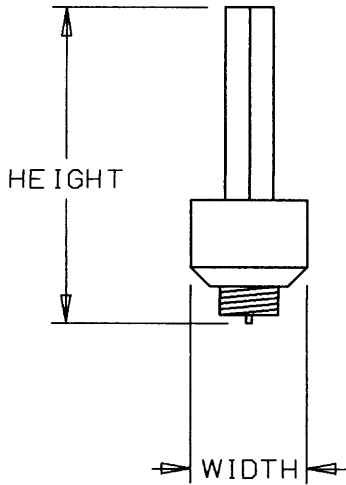
This information provided by:



Gross Automation  
[www.grossautomation.com](http://www.grossautomation.com)

Call Toll Free:  
**800-349-5827**

COMPACT FLUORESCENT



MAXIMUM LAMP SIZE	
INCANDESCENT	COMPACT FLUORESCENT
NOT APPLICABLE	6.5" HEIGHT, 2.8" WIDTH, MED. BASE

NOTE :  
DIMENSIONS ARE IN INCHES AND MILLIMETERS.

TITLE: GLOBE - POLYCARBONATE - WEATHERPROOF		DRN. RG	DATE 4/17/96	PART NO: E960GFL
<b>LAMSON &amp; SESSIONS</b>	ALL DRAWINGS ARE THE PROPERTY OF LAMSON & SESSIONS AND SHALL NOT BE REPRODUCED IN ANY FORM WITHOUT LAMSON & SESSIONS' APPROVAL AND ARE TO BE PROMPTLY RETURNED UPON REQUEST.	APP. DM	DATE 6/25/96	DRAWING NO: AC02618
				REV. A