

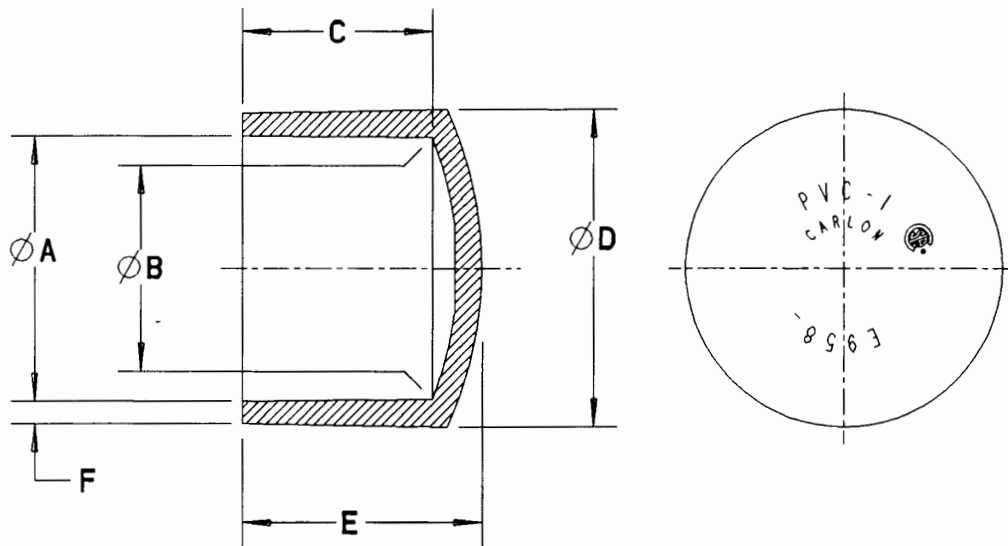
This information provided by:



Gross Automation
www.grossautomation.com

Call Toll Free:
800-349-5827

CARLON



PART NO.	TRADE SIZE	A	B	C MIN. SOCKET DEPTH	D	E	F
E958D	1/2"	.85 (21.6)	.84 (21.3)	.56 (14.2)	1.18 (29.9)	1.12 (28.4)	.095 (2.4)
E958E	3/4"	1.06 (26.9)	1.05 (26.6)	.98 (24.9)	1.37 (34.8)	1.29 (32.8)	.095 (2.4)
E958F	1"	1.33 (33.8)	1.31 (33.3)	1.11 (28.2)	1.67 (42.4)	1.48 (37.6)	.10 (2.5)
E958G	1-1/4"	1.68 (42.7)	1.66 (42.2)	1.25 (31.8)	2.03 (51.6)	1.73 (43.9)	.12 (3.0)
E958H	1-1/2"	1.92 (48.8)	1.89 (48.0)	1.36 (34.5)	2.28 (57.9)	1.7 (45.2)	.12 (3.0)
E958J	2"	2.36 (59.9)	2.37 (60.2)	1.44 (36.6)	2.81 (71.4)	2.26 (57.4)	.13 (3.3)
E958K	2-1/2"	2.89 (73.4)	2.87 (72.9)	2.16 (54.9)	3.39 (86.1)	2.95 (74.9)	.165 (4.2)
E958L	3"	3.52 (89.4)	3.49 (88.6)	2.22 (56.5)	4.09 (103.9)	3.00 (76.2)	.216 (5.5)
E958N	4"	4.52 (114.8)	4.49 (114.0)	2.23 (56.6)	5.20 (132.1)	3.48 (88.4)	.237 (6.0)
E958P	5"	5.59 (142.0)	5.55 (141.0)	3.27 (83.1)	6.25 (158.8)	4.77 (121.2)	.258 (6.6)
E958R	6"	6.66 (169.2)	6.61 (167.9)	3.59 (91.2)	7.39 (187.7)	5.23 (132.8)	.28 (7.1)

NOTE: ALL DIMENSIONS ARE IN INCN/MILLIMETERS

TITLE END CAPS		DRN DPR	DATE 2-5-02	PART NO. SEE CHART
LAMSON & SESSIONS	ALL DRAWINGS ARE THE PROPERTY OF LAMSON & SESSIONS AND SHALL NOT BE REPRODUCED IN ANY FORM WITHOUT LAMSON & SESSIONS' APPROVAL AND ARE TO BE PROMPTLY RETURNED UPON REQUEST.	APP. GDT	DATE 2-6-02	DRAWING NO. AC04093
				REV. B