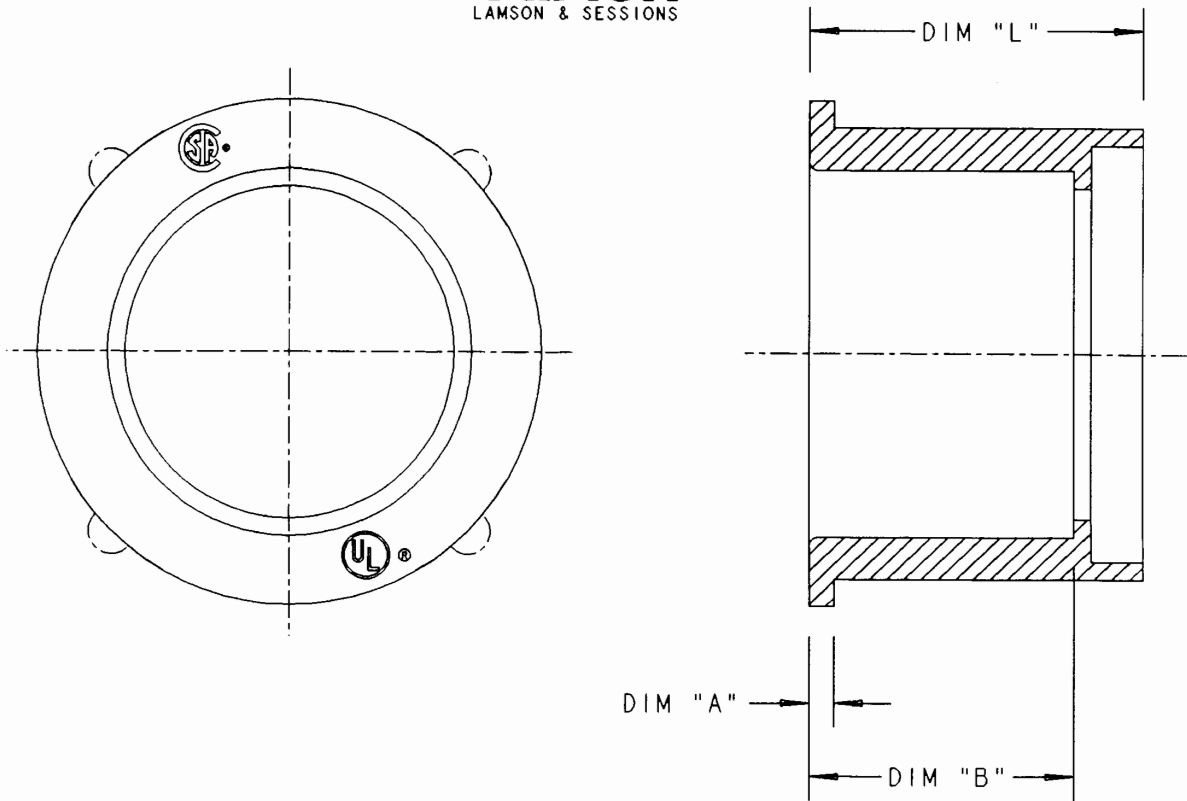


This information provided by:



Gross Automation  
[www.grossautomation.com](http://www.grossautomation.com)

Call Toll Free:  
**800-349-5827**



NOTE:  
SIZES / DIMENSIONS ARE SHOWN IN INCHES/MILLIMETERS.

PART NO.	SIZE	LENGTH-L	MINIMUM	MAXIMUM
			DIM - A	DIM - B
E950ED	3/4 X 1/2 (21 X 16)	1.12 (28.5)	.099 (2.5)	1.02 (25.9)
E950FD	1 X 1/2 (27 X 16)	1.34 (34.0)	.13 (3.3)	.87 (22.1)
E950FE	1 X 3/4 (27 X 21)	1.25 (31.8)	.11 (2.8)	1.05 (26.7)
E950GE	1 1/4 X 3/4 (35 X 21)	1.46 (37.1)	.13 (3.3)	1.00 (25.4)
E950GF	1 1/4 X 1 (35 X 27)	1.45 (36.8)	.13 (3.3)	1.13 (28.7)
E950HF	1 1/2 X 1 (41 X 27)	1.59 (40.1)	.13 (3.3)	1.13 (28.7)
E950HG	1 1/2 X 1 1/4 (41 X 35)	1.59 (40.1)	.13 (3.3)	1.27 (32.3)
E950JG	2 X 1 1/4 (53 X 35)	1.75 (44.5)	.13 (3.3)	1.26 (32.0)
E950JH	2 X 1 1/2 (53 X 41)	1.75 (44.5)	.085 (2.2)	1.39 (35.3)
E950KJ	2 1/2 X 2 (63 X 53)	2.13 (54.1)	.085 (2.2)	1.15 (29.2)
E950LJ	3 X 2 (78 X 53)	2.12 (53.8)	.085 (2.2)	1.15 (29.2)
E950LK	3 X 2 1/2 (78 X 63)	2.12 (53.8)	.085 (2.2)	1.50 (38.1)
E950NL	4 X 3 (103 X 78)	2.73 (69.3)	.085 (2.2)	1.97 (50.0)

TITLE: REDUCER BUSHINGS		DRN: PMW	DATE: 2-4-97	PART NO: SEE TABLE	
LAMSON & SESSIONS	ALL DRAWINGS ARE THE PROPERTY OF LAMSON & SESSIONS AND SHALL NOT BE REPRODUCED IN ANY FORM WITHOUT LAMSON & SESSIONS' APPROVAL AND ARE TO BE PROMPTLY RETURNED UPON REQUEST.	APP: DK	DATE: 2-12-97	DRAWING NO: AC03010	
				REV. C	