

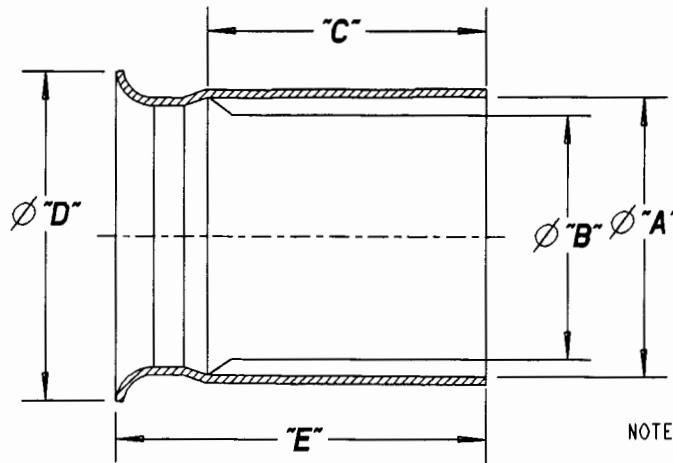
This information provided by:



Gross Automation
www.grossautomation.com

Call Toll Free:
800-349-5827

CARLON



NOTE: ALL DIMENSIONS ARE IN INCH/MILLIMETERS

| PART NO. | NOMINAL SIZE | A | B | C | D | E |
|----------|--------------|-----------------|-----------------|-----------------|-----------------|------------------|
| E297JN | 2" | 2.40 (60.9) | 2.38 (60.5) | 2.38 (60.5) | 4.28 (108.7) | 4.00 (101.6) |
| E297LR | 3" | 3.54 (89.9) | 3.51 (89.2) | 3.51 (89.2) | 5.28 (134.1) | 6.00 (152.4) |
| E297NR | 4" | 4.54 (115.3) | 4.51 (114.6) | 3.62 (91.9) | 5.50 (139.7) | 6.00 (152.4) |
| E297NS | 4" | 4.54 (115.3) | 4.51 (114.6) | 3.62 (91.9) | 5.50 (139.7) | 8.00 (203.2) |
| E297NT | 4" | 4.54 (115.3) | 4.51 (114.6) | 4.51 (114.6) | 5.50 (139.7) | 10.00 (254.0) |
| E297NV | 4" | 4.54 (115.3) | 4.51 (114.6) | 4.51 (114.6) | 5.50 (139.7) | 12.00 (304.8) |
| E297PR | 5" | 5.61 (142.5) | 5.57 (141.5) | 4.25 (107.9) | 6.50 (165.1) | 6.00 (152.4) |
| E297PS | 5" | 5.61 (142.5) | 5.57 (141.5) | 5.58 (141.7) | 6.50 (165.1) | 8.00 (203.2) |
| E297PT | 5" | 5.61 (142.5) | 5.57 (141.5) | 4.50 (114.3) | 6.50 (165.1) | 10.00 (254.0) |
| E297RF | 6" | 6.17 (156.7) | 6.63 (168.4) | 2.75 (69.8) | 7.50 (190.5) | 8.25 (209.6) |
| E297RS | 6" | 6.69 (169.9) | 6.64 (168.7) | 5.25 (133.4) | 8.00 (203.2) | 8.00 (203.2) |
| E297RT | 6" | 6.66 (169.2) | 6.64 (168.7) | 5.75 (146.0) | 7.50 (190.5) | 10.00 (254.0) |
| E297RR | 6" | 6.66 (169.2) | 6.61 (167.9) | 5.25 (133.4) | 7.50 (190.5) | 6.00 (152.4) |
| E949J5 | 2" | 2.39 (60.7) | 2.37 (60.2) | 1.87 (47.5) | 3.28 (83.3) | 5.00 (127.0) |
| E949J6 | 2" | 2.39 (60.7) | 2.37 (60.2) | 1.87 (47.5) | 3.28 (83.3) | 6.00 (152.4) |
| E949JN | 2" | 2.39 (60.7) | 2.37 (60.2) | 1.87 (47.5) | 3.28 (83.3) | 4.00 (101.6) |
| E949JX | 2" | 2.39 (60.7) | 2.37 (60.2) | 1.87 (47.5) | 3.28 (83.3) | 8.00 (203.2) |
| E949LR | 3" | 3.52 (89.4) | 3.49 (88.6) | 3.00 (76.2) | 4.28 (108.7) | 6.00 (152.4) |
| E949N5 | 4" | 4.52 (114.8) | 4.49 (114.0) | 3.25 (82.6) | 5.50 (139.7) | 5.00 (127.0) |
| E949NR | 4" | 4.52 (114.8) | 4.49 (114.0) | 3.25 (82.6) | 5.50 (139.7) | 6.00 (152.4) |
| E949P5 | 5" | 5.59 (141.9) | 5.55 (140.9) | 3.50 (88.9) | 6.50 (165.1) | 5.00 (127.0) |
| E949R5 | 6" | 6.66 (169.1) | 6.61 (167.9) | 3.62 (91.9) | 7.50 (190.5) | 5.00 (127.0) |
| E949RX | 6" | 6.66 (169.1) | 6.61 (167.9) | 3.62 (91.9) | 7.50 (190.5) | 8.00 (203.2) |
| E907NY | 4" | 4.38 (111.3) | 4.35 (110.5) | 3.25 (82.6) | 5.75 (146.0) | 9.00 (228.6) |
| E997T | 8" | 8.69 (220.7) | 8.64 (219.5) | 6.25 (158.8) | 9.50 (241.3) | 9.00 (228.6) |
| E9097NR | 4" | 4.38 (111.3) | 4.35 (110.5) | 3.25 (82.6) | 5.75 (146.0) | 8.00 (203.2) |
| E9097NS | 4" | 4.38 (111.3) | 4.35 (110.5) | 3.25 (82.6) | 5.75 (146.0) | 8.00 (203.2) |
| E9097NT | 4" | 4.38 (111.3) | 4.35 (110.5) | 3.25 (82.6) | 5.75 (146.0) | 10.00 (254.0) |
| E9097NU | 4" | 4.38 (111.3) | 4.35 (110.5) | 3.25 (82.6) | 5.75 (146.0) | 12.00 (304.8) |

| | | | | | | | |
|-------------------|--|--|--|------|---------|-------------|------|
| TITLE | | SPECIAL BELL END | | DRN. | DATE | PART NO: | |
| LAMSON & SESSIONS | | ALL DRAWINGS ARE THE PROPERTY OF LAMSON & SESSIONS AND SHALL NOT BE REPRODUCED IN ANY FORM WITHOUT LAMSON & SESSIONS' APPROVAL AND ARE TO BE PROMPTLY RETURNED UPON REQUEST. | | DPR | 2-12-02 | SEE CHART | |
| | | | | APP. | DATE | DRAWING NO: | REV. |
| | | | | GOT | 2-12-02 | AC04102 | A |