

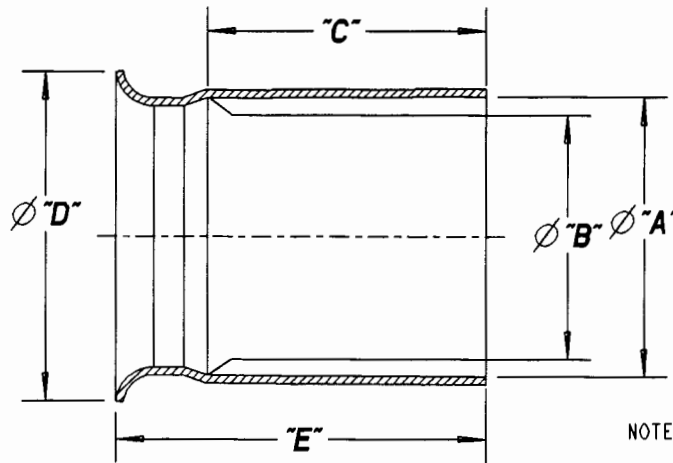
This information provided by:



Gross Automation  
[www.grossautomation.com](http://www.grossautomation.com)

Call Toll Free:  
**800-349-5827**

# CARLON



NOTE: ALL DIMENSIONS ARE IN INCH/MILLIMETERS

PART NO.	NOMINAL SIZE	A	B	C	D	E
E297JN	2"	2.40 (60.9)	2.38 (60.5)	2.38 (60.5)	4.28 (108.7)	4.00 (101.6)
E297LR	3"	3.54 (89.9)	3.51 (89.2)	3.51 (89.2)	5.28 (134.1)	6.00 (152.4)
E297NR	4"	4.54 (115.3)	4.51 (114.6)	3.62 (91.9)	5.50 (139.7)	6.00 (152.4)
E297NS	4"	4.54 (115.3)	4.51 (114.6)	3.62 (91.9)	5.50 (139.7)	8.00 (203.2)
E297NT	4"	4.54 (115.3)	4.51 (114.6)	4.51 (114.6)	5.50 (139.7)	10.00 (254.0)
E297NV	4"	4.54 (115.3)	4.51 (114.6)	4.51 (114.6)	5.50 (139.7)	12.00 (304.8)
E297PR	5"	5.61 (142.5)	5.57 (141.5)	4.25 (107.9)	6.50 (165.1)	6.00 (152.4)
E297PS	5"	5.61 (142.5)	5.57 (141.5)	5.58 (141.7)	6.50 (165.1)	8.00 (203.2)
E297PT	5"	5.61 (142.5)	5.57 (141.5)	4.50 (114.3)	6.50 (165.1)	10.00 (254.0)
E297RF	6"	6.17 (156.7)	6.63 (168.4)	2.75 (69.8)	7.50 (190.5)	8.25 (209.6)
E297RS	6"	6.69 (169.9)	6.64 (168.7)	5.25 (133.4)	8.00 (203.2)	8.00 (203.2)
E297RT	6"	6.66 (169.2)	6.64 (168.7)	5.75 (146.0)	7.50 (190.5)	10.00 (254.0)
E297RR	6"	6.66 (169.2)	6.61 (167.9)	5.25 (133.4)	7.50 (190.5)	6.00 (152.4)
E949J5	2"	2.39 (60.7)	2.37 (60.2)	1.87 (47.5)	3.28 (83.3)	5.00 (127.0)
E949J6	2"	2.39 (60.7)	2.37 (60.2)	1.87 (47.5)	3.28 (83.3)	6.00 (152.4)
E949JN	2"	2.39 (60.7)	2.37 (60.2)	1.87 (47.5)	3.28 (83.3)	4.00 (101.6)
E949JX	2"	2.39 (60.7)	2.37 (60.2)	1.87 (47.5)	3.28 (83.3)	8.00 (203.2)
E949LR	3"	3.52 (89.4)	3.49 (88.6)	3.00 (76.2)	4.28 (108.7)	6.00 (152.4)
E949N5	4"	4.52 (114.8)	4.49 (114.0)	3.25 (82.6)	5.50 (139.7)	5.00 (127.0)
E949NR	4"	4.52 (114.8)	4.49 (114.0)	3.25 (82.6)	5.50 (139.7)	6.00 (152.4)
E949P5	5"	5.59 (141.9)	5.55 (140.9)	3.50 (88.9)	6.50 (165.1)	5.00 (127.0)
E949R5	6"	6.66 (169.1)	6.61 (167.9)	3.62 (91.9)	7.50 (190.5)	5.00 (127.0)
E949RX	6"	6.66 (169.1)	6.61 (167.9)	3.62 (91.9)	7.50 (190.5)	8.00 (203.2)
E907NY	4"	4.38 (111.3)	4.35 (110.5)	3.25 (82.6)	5.75 (146.0)	9.00 (228.6)
E997T	8"	8.69 (220.7)	8.64 (219.5)	6.25 (158.8)	9.50 (241.3)	9.00 (228.6)
E9097NR	4"	4.38 (111.3)	4.35 (110.5)	3.25 (82.6)	5.75 (146.0)	8.00 (203.2)
E9097NS	4"	4.38 (111.3)	4.35 (110.5)	3.25 (82.6)	5.75 (146.0)	8.00 (203.2)
E9097NT	4"	4.38 (111.3)	4.35 (110.5)	3.25 (82.6)	5.75 (146.0)	10.00 (254.0)
E9097NU	4"	4.38 (111.3)	4.35 (110.5)	3.25 (82.6)	5.75 (146.0)	12.00 (304.8)

TITLE		SPECIAL BELL END		DRN.	DATE	PART NO:	
LAMSON & SESSIONS		ALL DRAWINGS ARE THE PROPERTY OF LAMSON & SESSIONS AND SHALL NOT BE REPRODUCED IN ANY FORM WITHOUT LAMSON & SESSIONS' APPROVAL AND ARE TO BE PROMPTLY RETURNED UPON REQUEST.		DPR	2-12-02	SEE CHART	
				APP.	DATE	DRAWING NO:	REV.
				GOT	2-12-02	AC04102	A