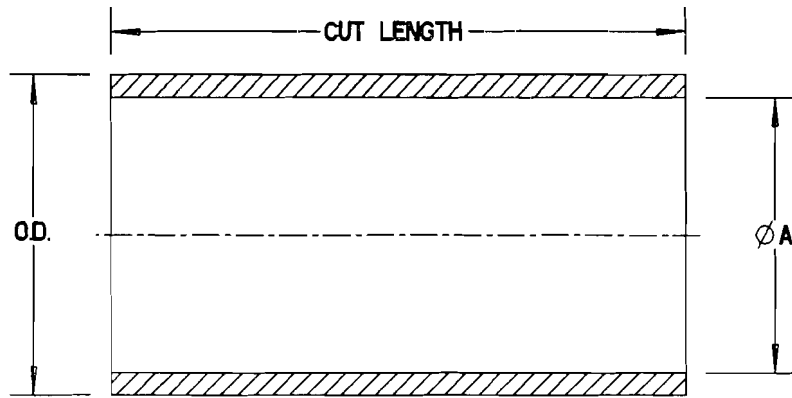


This information provided by:



Gross Automation  
[www.grossautomation.com](http://www.grossautomation.com)

Call Toll Free:  
**800-349-5827**



| PART NO. | CUT LENGTH | DIA 'A'         | OD.              |
|----------|------------|-----------------|------------------|
| E200J    | 4"         | 2.39<br>[60.7]  | 2.54<br>[64.5]   |
| E200JGT  | 8"         | 2.39<br>[60.7]  | 2.54<br>[64.5]   |
| E200L    | 6.5"       | 3.52<br>[89.4]  | 3.73<br>[94.7]   |
| E200M    | 6"         | 4.01<br>[101.9] | 4.50<br>[114.3]  |
| E200N    | 6"         | 4.52<br>[114.8] | 4.79<br>[121.7]  |
| E200P    | 6"         | 5.58<br>[141.7] | 5.92<br>[150.4]  |
| E200R    | 6"         | 6.65<br>[168.9] | 7.04<br>[178.8]  |
| E600N    | 10"        | 4.52<br>[114.8] | 4.79<br>[121.7]  |
| E948H    | 4"         | 1.92<br>[48.8]  | 2.23<br>[56.6]   |
| E948H24  | 24"        | 1.92<br>[48.8]  | 2.23<br>[56.6]   |
| E948J    | 3"         | 2.39<br>[60.7]  | 2.72<br>[69.1]   |
| E948JR   | 6"         | 2.39<br>60.7]   | 2.72<br>[69.1]   |
| E948K    | 6"         | 2.89<br>[73.4]  | 3.11<br>[79.0]   |
| E948L    | 4"         | 3.52<br>[89.4]  | 3.98<br>[101.1]  |
| E948L6   | 6"         | 3.52<br>[89.4]  | 3.98<br>[101.1]  |
| E948N    | 6.5"       | 4.52<br>[114.8] | 5.02<br>[127.5]  |
| E948N7   | 7"         | 4.52<br>[114.8] | 5.02<br>[127.5]  |
| E948P    | 7"         | 5.58<br>[141.7] | 6.13<br>[155.7]  |
| E948R    | 6"         | 6.65<br>[168.9] | 7.24<br>[183.9]  |
| E948R10  | 10"        | 6.65<br>[168.9] | 7.24<br>[183.9]  |
| E900DN   | 6"         | 4.37<br>[111.0] | 4.67<br>[118.5]  |
| E900N    | 6"         | 4.37<br>[111.0] | 4.67<br>[118.5]  |
| E900N18  | 18"        | 4.37<br>[111.0] | 4.67<br>[118.5]  |
| E900NU   | 12"        | 4.37<br>[111.0] | 4.67<br>[118.5]  |
| E900NW   | 6"         | 4.37<br>[111.0] | 4.67<br>[118.5]  |
| E948R12  | 12"        | 6.65<br>[168.8] | 7.239<br>[183.9] |

|                        |  |         |               |                      |
|------------------------|--|---------|---------------|----------------------|
| TITLE: SLEEVE COUPLING |  | DRN: RG | DATE: 5/16/01 | PART NO.: SEE CHART  |
| LAMSON & SESSIONS      | ALL DRAWINGS ARE THE PROPERTY OF LAMSON & SESSIONS AND SHALL NOT BE REPRODUCED IN ANY FORM WITHOUT LAMSON & SESSIONS' APPROVAL AND ARE TO BE PROMPTLY RETURNED UPON REQUEST. | APP.    | DATE:         | DRAWING NO.: AC03961 |
|                        |  | WGL     | 5/16/01       | REV. B               |