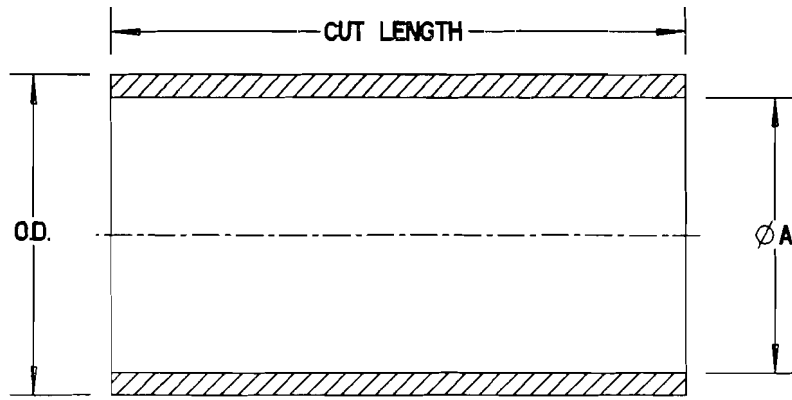


This information provided by:



Gross Automation  
[www.grossautomation.com](http://www.grossautomation.com)

Call Toll Free:  
**800-349-5827**



PART NO.	CUT LENGTH	DIA 'A'	OD.
E200J	4"	2.39 [60.7]	2.54 [64.5]
E200JGT	8"	2.39 [60.7]	2.54 [64.5]
E200L	6.5"	3.52 [89.4]	3.73 [94.7]
E200M	6"	4.01 [101.9]	4.50 [114.3]
E200N	6"	4.52 [114.8]	4.79 [121.7]
E200P	6"	5.58 [141.7]	5.92 [150.4]
E200R	6"	6.65 [168.9]	7.04 [178.8]
E600N	10"	4.52 [114.8]	4.79 [121.7]
E948H	4"	1.92 [48.8]	2.23 [56.6]
E948H24	24"	1.92 [48.8]	2.23 [56.6]
E948J	3"	2.39 [60.7]	2.72 [69.1]
E948JR	6"	2.39 60.7]	2.72 [69.1]
E948K	6"	2.89 [73.4]	3.11 [79.0]
E948L	4"	3.52 [89.4]	3.98 [101.1]
E948L6	6"	3.52 [89.4]	3.98 [101.1]
E948N	6.5"	4.52 [114.8]	5.02 [127.5]
E948N7	7"	4.52 [114.8]	5.02 [127.5]
E948P	7"	5.58 [141.7]	6.13 [155.7]
E948R	6"	6.65 [168.9]	7.24 [183.9]
E948R10	10"	6.65 [168.9]	7.24 [183.9]
E900DN	6"	4.37 [111.0]	4.67 [118.5]
E900N	6"	4.37 [111.0]	4.67 [118.5]
E900N18	18"	4.37 [111.0]	4.67 [118.5]
E900NU	12"	4.37 [111.0]	4.67 [118.5]
E900NW	6"	4.37 [111.0]	4.67 [118.5]
E948R12	12"	6.65 [168.8]	7.239 [183.9]

TITLE: SLEEVE COUPLING		DRN: RG	DATE: 5/16/01	PART NO.: SEE CHART
LAMSON & SESSIONS	ALL DRAWINGS ARE THE PROPERTY OF LAMSON & SESSIONS AND SHALL NOT BE REPRODUCED IN ANY FORM WITHOUT LAMSON & SESSIONS' APPROVAL AND ARE TO BE PROMPTLY RETURNED UPON REQUEST.	APP.	DATE:	DRAWING NO.: AC03961
		WGL	5/16/01	REV. B