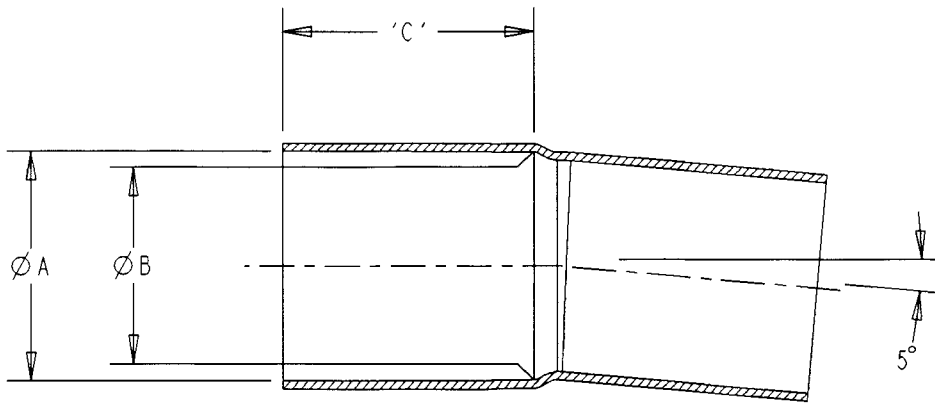


This information provided by:



Gross Automation
www.grossautomation.com

Call Toll Free:
800-349-5827



PART NO.	NOMINAL PIPE SIZE	* CUT LENGTH	Ø A	Ø B	C	WALL THICKNESS 'W'
E244NF	4 (103)	8.5 (216)	4.52 (115)	4.49 (114)	3.50 (89)	.136 (3.5)
E244NF5	4 (103)	6 (152)	4.50 (114)	4.49 (114)	1.87 (48)	.136 (3.5)
E244PF	5 (129)	10 (254)	5.59 (142)	5.55 (141)	4.13 (105)	.167 (4.2)
E244PF5	5 (129)	6 (152)	5.56 (141)	5.55 (141)	2.00 (51) MIN	.167 (4.2)
E244RF	6 (155)	11 (279)	6.66 (169)	6.61 (168)	5.13 (130)	.197 (5.0)
E244RF5	6 (155)	5.5 (140)	6.64 (169)	6.61 (168)	2.25 (57)	.197 (5.0)
E244H	1-1/2 (41)	5 (127)	1.92 (49)	1.91 (49)	1.75 (44)	.070 (1.8)
E244J	2 (53)	5.5 (140)	2.40 (61)	2.38 (60)	2.13 (54)	.092 (2.3)
E244L	3 (78)	6.5 (165)	3.54 (90)	3.51 (89)	3.25 (83)	.107 (2.7)
E944J	2 (53)	6.5 (165)	2.39 (61)	2.37 (60)	1.63 (41)	.164 (4.2)
E944K	2-1/2 (63)	5.75 (146)	2.90 (74)	2.86 (73)	2.68 (68)	.210 (5.3)
E944L	3 (78)	5.75 (146)	3.52 (89)	3.49 (89)	2.87 (73)	.229 (5.8)
E944N	4 (103)	7.5 (191)	4.52 (115)	4.49 (114)	3.13 (80)	.251 (6.4)
E944R	6 (155)	9 (229)	6.66 (169)	6.61 (168)	3.50 (89)	.297 (7.5)
E944T	8 (200)	12 (305)	8.69 (221)	8.64 (219)	6.13 (156)	.341 (8.7)

* - BEFORE SWEDGING

TITLE: THERMOFORMED 5 DEGREE ANGLE COUPLING - SOCKET/SPIGOT		DRN RG	DATE 3/22/01	PART NO: SEE CHART
LAMSON & SESSIONS	ALL DRAWINGS ARE THE PROPERTY OF LAMSON & SESSIONS AND SHALL NOT BE REPRODUCED IN ANY FORM WITHOUT LAMSON & SESSIONS' APPROVAL AND ARE TO BE PROMPTLY RETURNED UPON REQUEST.	APP <i>[Signature]</i>	DATE 7/15/03	DRAWING NO: AC03927
				REV. A