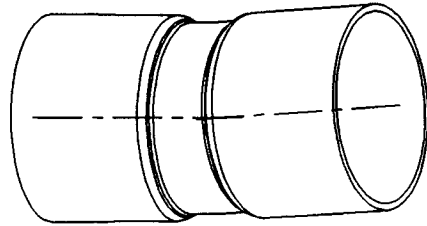


This information provided by:

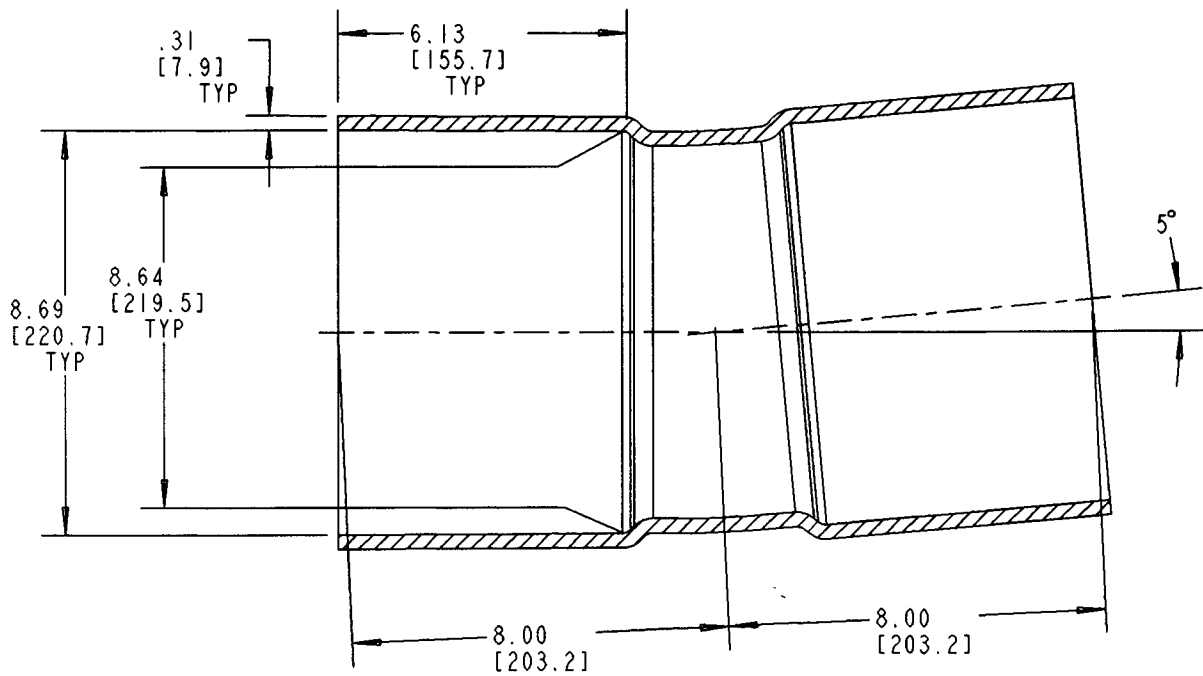


Gross Automation  
[www.grossautomation.com](http://www.grossautomation.com)

Call Toll Free:  
**800-349-5827**



SCALE 0.120



SECTION THRU PIPE

TITLE		8" DOUBLE BELLED FITTING ANGLED 5°		DRN	DATE	PART NO:	E9440TF
LAMSON & SESSIONS		ALL DRAWINGS ARE THE PROPERTY OF LAMSON & SESSIONS AND SHALL NOT BE REPRODUCED IN ANY FORM WITHOUT LAMSON & SESSIONS' APPROVAL AND ARE TO BE PROMPTLY RETURNED UPON REQUEST.		DPR	3-21-02	DRAWING NO:	
				APP.	DATE	AC04122	REV.