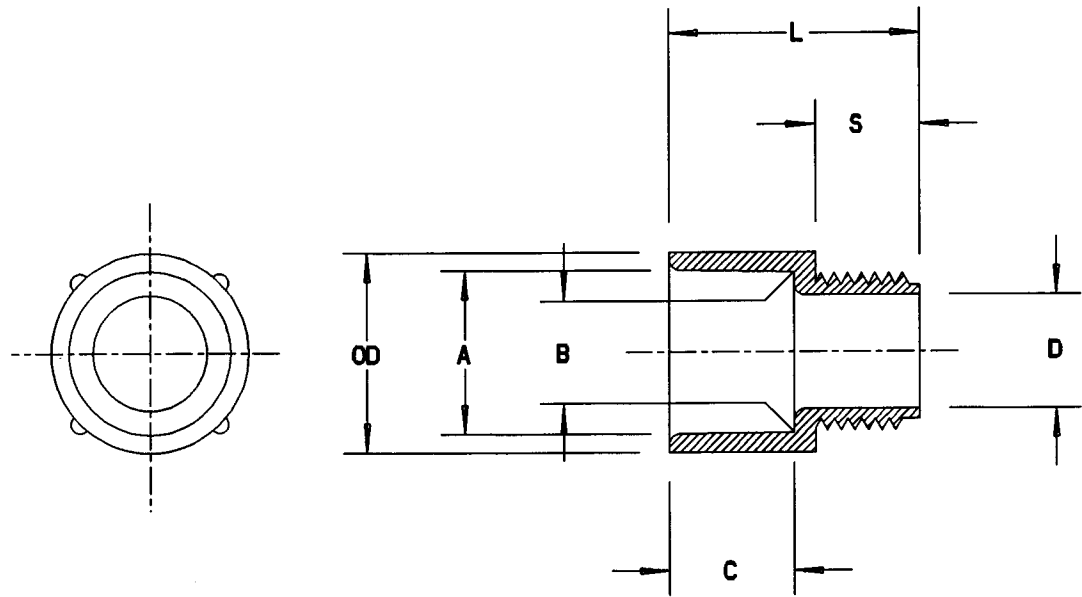


This information provided by:



Gross Automation
www.grossautomation.com

Call Toll Free:
800-349-5827



PART NO. SEE NOTE 1	PART NO. SEE NOTE 2	SIZE	A	B	D MIN	OD MAX	C	S	L
E943D	--	1/2 (16)	.852 (21.6)	.836 (21.2)	.594 (15.1)	1.042 (26.5)	.652 (16.6)	.545 (13.8)	1.310 (33.3)
E943E	--	3/4 (21)	1.064 (27.0)	1.046 (26.6)	.793 (20.1)	1.290 (32.8)	.809 (20.5)	.553 (14.0)	1.470 (37.3)
E943F	--	1 (27)	1.330 (33.8)	1.310 (33.3)	1.025 (26.0)	1.580 (40.1)	.965 (24.5)	.812 (20.1)	1.902 (48.3)
E943G	SCE943G	1-1/4 (35)	1.677 (42.0)	1.655 (42.0)	1.345 (34.2)	1.973 (50.1)	1.028 (26.1)	.816 (20.7)	1.986 (50.4)
E943H	SCE943H	1-1/2 (41)	1.918 (48.7)	1.894 (48.1)	1.574 (40.0)	2.188 (55.6)	1.155 (29.3)	.802 (20.4)	2.105 (53.5)
E943J	SCE943J	2 (53)	2.393 (60.8)	2.369 (60.2)	1.998 (50.7)	2.713 (68.9)	1.145 (29.1)	.825 (21.0)	2.093 (53.2)
E943K	--	2-1/2 (63)	2.890 (73.4)	2.868 (72.8)	2.400 (61.0)	3.290 (83.6)	1.490 (37.8)	.812 (20.1)	2.480 (63.0)
E943L	--	3 (78)	3.515 (89.3)	3.492 (88.7)	2.989 (75.9)	3.965 (100.7)	1.643 (41.7)	.797 (20.2)	2.660 (67.6)
E943M	--	3-1/2 (91)	4.015 (102.0)	3.992 (101.4)	3.405 (86.5)	4.515 (114.7)	1.720 (43.7)	.802 (20.4)	2.740 (69.6)
E943N	--	4 (103)	4.515 (114.7)	4.491 (114.1)	3.895 (98.9)	5.065 (128.7)	1.788 (45.4)	.733 (18.6)	2.830 (71.9)
E943P	--	5 (129)	5.594 (142.1)	5.553 (141.1)	4.900 (124.5)	6.104 (155.0)	1.935 (49.1)	.990 (25.1)	3.200 (81.3)
E943R	--	6 (155)	6.658 (169.1)	6.614 (168.0)	5.900 (149.9)	7.228 (183.6)	2.128 (54.1)	.985 (25.0)	3.410 (86.6)

NOTES:

1. MATERIAL: GRAY PVC
2. MATERIAL: ORANGE PVC
2. DIMENSIONS ARE IN INCH/(MILLIMETERS).

TITLE TERMINAL ADAPTERS		DRN DJK	DATE 2-18-97	PART NO: SEE TABLE	
LAMSON & SESSIONS	ALL DRAWINGS ARE THE PROPERTY OF LAMSON & SESSIONS AND SHALL NOT BE REPRODUCED IN ANY FORM WITHOUT LAMSON & SESSIONS' APPROVAL AND ARE TO BE PROMPTLY RETURNED UPON REQUEST.	APP. JM	DATE 3-11-97	DRAWING NO: AC03022	REV. B