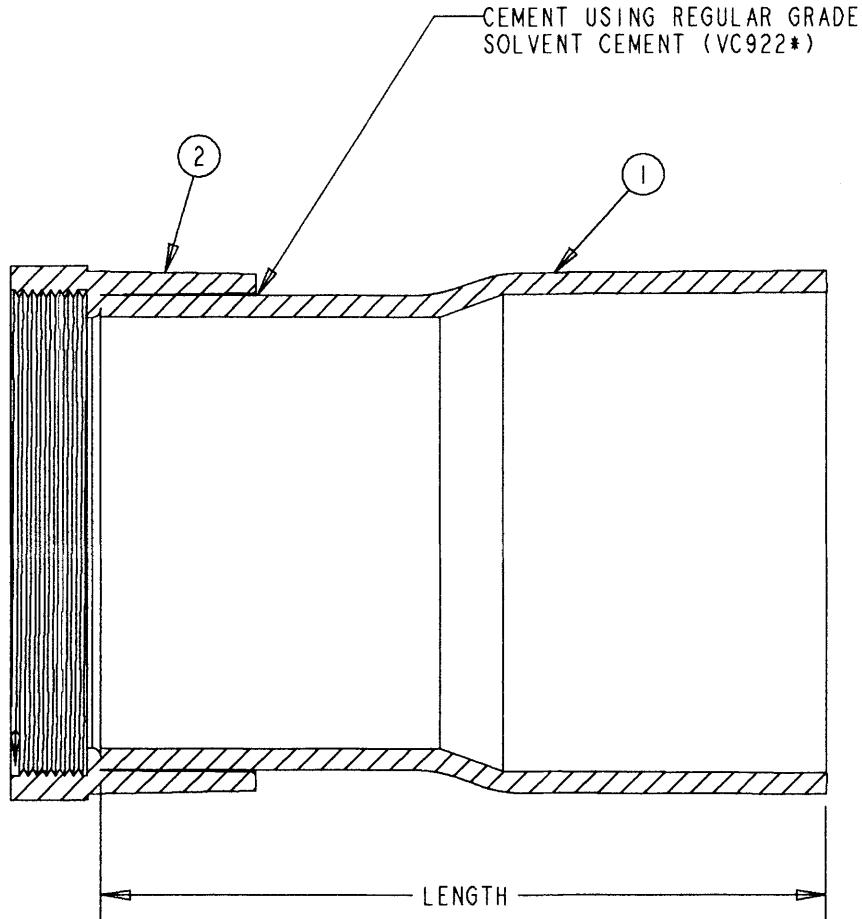
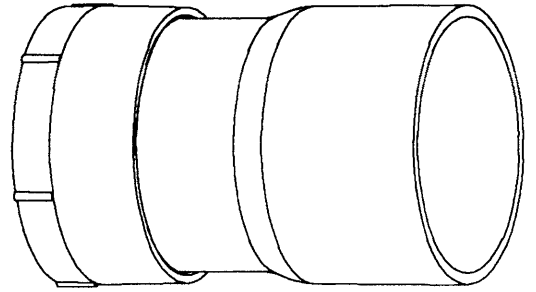


This information provided by:



Gross Automation
www.grossautomation.com

Call Toll Free:
800-349-5827



PART NO.	ITEM 1		ITEM 2
	MATERIAL	LENGTH	
E942NX	59615	8.0	E942N
E942RX	59617	10.0	E942R

TITLE ADAPTER - SPECIAL LONG-LINE FEMALE

DRN RO 9/22/00

PART NO:

SEE CHART

LAMSON & SESSIONS

ALL DRAWINGS ARE THE PROPERTY OF LAMSON & SESSIONS AND SHALL NOT BE REPRODUCED IN ANY FORM WITHOUT LAMSON & SESSIONS' APPROVAL AND ARE TO BE PROMPTLY RETURNED UPON REQUEST.

APP. DATE

DRAWING NO:

AC03835

REV.