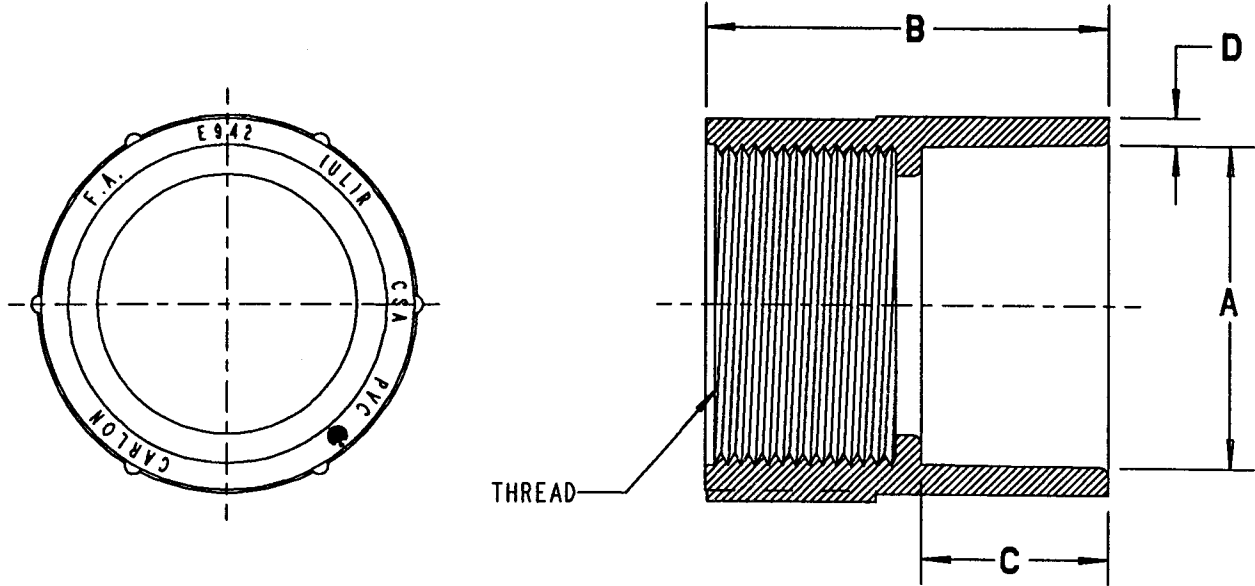


This information provided by:



Gross Automation
www.grossautomation.com

Call Toll Free:
800-349-5827



| SIZE THREAD - NPSC | PART NO. | DIM. A | DIM. B | DIM. C | DIM. D |
|-----------------------|----------|-----------------|----------------|----------------|--------------|
| 1/2" | E942D | .85 [21.6] | 1.47 [37.3] | .68 [17.3] | .11 [2.8] |
| 3/4" | E942E | 1.06 [26.9] | 1.61 [40.9] | .76 [19.3] | .12 [3.1] |
| 1" | E942F | 1.33 [33.8] | 1.91 [48.5] | .91 [23.1] | .13 [3.3] |
| 1-1/4" | E942G | 1.68 [42.7] | 2.10 [53.3] | .97 [24.6] | .15 [3.8] |
| 1-1/2" | E942H | 1.92 [48.7] | 2.22 [56.4] | 1.09 [27.7] | .15 [3.8] |
| 2" | E942J | 2.39 [60.7] | 2.28 [57.9] | 1.15 [29.2] | .16 [4.1] |
| 2-1/2" | E942K | 2.89 [73.4] | 2.93 [60.7] | 1.71 [43.4] | .21 [5.3] |
| 3" | E942L | 3.52 [89.4] | 3.05 [77.5] | 1.83 [46.5] | .23 [5.8] |
| 3-1/2" | E942M | 4.02 [102.1] | 3.25 [82.6] | 2.03 [51.6] | .25 [6.4] |
| 4" | E942N | 4.52 [114.8] | 3.09 [78.5] | 1.78 [45.2] | .26 [6.6] |
| 5" | E942P | 5.59 [142] | 3.09 [78.5] | 1.78 [45.2] | .28 [7.1] |
| 6" | E942R | 6.66 [169.2] | 3.38 [85.9] | 2.14 [54.4] | .31 [7.9] |

NOTE: ALL DIMENSIONS ARE IN INCH/MILLIMETERS.

| | | | | |
|---|--|------------|-----------------|-------------------------------|
| TITLE FEMALE ADAPTERS - SCHEDULE 40 | | DRN DPR | DATE 3-15-01 | PART NO. SEE CHART |
| LAMSON & SESSIONS | ALL DRAWINGS ARE THE PROPERTY OF LAMSON & SESSIONS AND SHALL NOT BE REPRODUCED IN ANY FORM WITHOUT LAMSON & SESSIONS' APPROVAL AND ARE TO BE PROMPTLY RETURNED UPON REQUEST. | APP. | DATE | DRAWING NO. AC03923 |
| | | | | REV. |