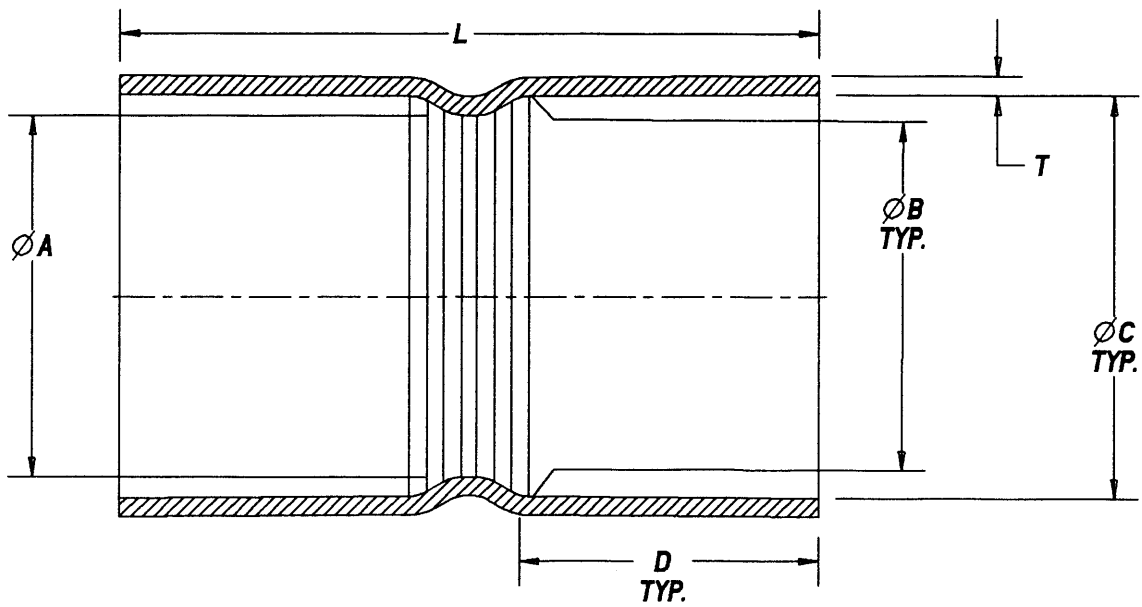


This information provided by:



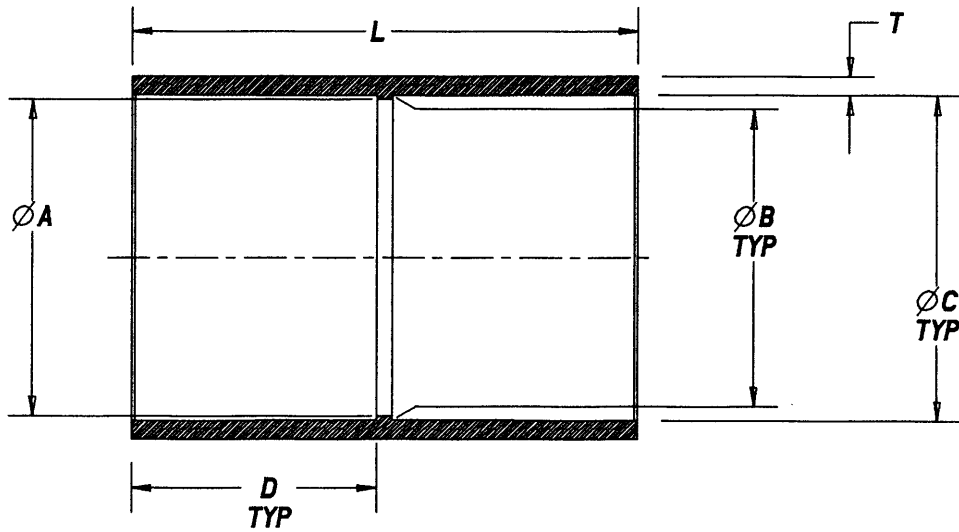
Gross Automation  
[www.grossautomation.com](http://www.grossautomation.com)

Call Toll Free:  
**800-349-5827**



FABRICATED

PART NO.	SIZE	ØA	ØB	ØC	D	T	L
E941PF	5"	5.00 [127.0]	5.53 [140.5]	5.58 [141.7]	4.12 [104.6]	.26 [6.6]	9.63 [244.6]
E941RF	6"	6.06 [153.9]	6.58 [167.1]	6.67 [169.4]	5.00 [127.0]	.28 [7.1]	11.75 [298.5]



MOLDED

PART NO.	SIZE	ØA	ØB	ØC	D	T	L
E941H	1 1/2"	1.59 [40.4]	1.89 [48.0]	1.92 [48.7]	1.50 [38.1]	.20 [5.1]	3.19 [81.0]
E941J	2"	2.29 [58.2]	2.37 [60.2]	2.39 [60.7]	1.67 [42.4]	.17 [4.3]	3.59 [91.2]
E941K	2 1/2"	2.45 [62.2]	2.87 [72.9]	2.89 [73.4]	2.00 [50.8]	.23 [5.8]	4.29 [109.0]
E941L	3"	3.39 [86.1]	3.49 [88.7]	3.52 [89.4]	3.12 [79.2]	.22 [5.6]	6.44 [163.6]
E941N	4"	4.39 [111.5]	4.49 [114.0]	4.52 [114.8]	3.38 [85.9]	.26 [6.6]	6.96 [176.8]

TITLE: COUPLING - DEEP SOCKET		DRN: RG	DATE: 5/15/01	PART NO: E941 SERIES	
LAMSON & SESSIONS	ALL DRAWINGS ARE THE PROPERTY OF LAMSON & SESSIONS AND SHALL NOT BE REPRODUCED IN ANY FORM WITHOUT LAMSON & SESSIONS' APPROVAL AND ARE TO BE PROMPTLY RETURNED UPON REQUEST.	APP: <i>WGL</i>	DATE:	DRAWING NO: AC03960	REV.