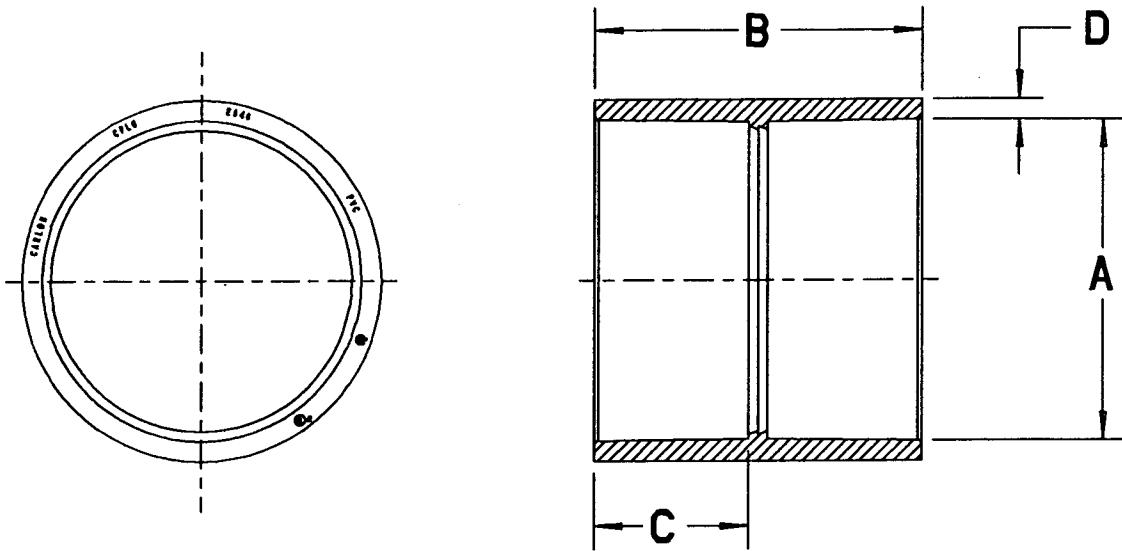


This information provided by:



Gross Automation
www.grossautomation.com

Call Toll Free:
800-349-5827



SIZE	PART NO. SEE NOTE 1	PART NO. SEE NOTE 2	DIM. A	DIM. B	DIM. C	DIM. D
1/2"	E940D	--	.85 [21.6]	1.42 [35.8]	.68 [17.3]	.11 [3.4]
3/4"	E940E	--	1.06 [26.9]	1.60 [40.6]	.75 [19.1]	.13 [3.3]
1"	E940F	--	1.33 [33.8]	1.91 [48.5]	.90 [22.8]	.13 [3.3]
1-1/4"	E940G	SCE940G	1.67 [42.4]	2.13 [54.1]	.97 [24.6]	.15 [3.8]
1-1/2"	E940H	SCE940H	1.92 [48.8]	2.44 [61.9]	1.13 [28.7]	.15 [3.8]
2"	E940J	SCE940J	2.39 [60.7]	2.44 [61.9]	1.15 [29.2]	.15 [3.8]
2-1/2"	E940K	--	2.89 [73.4]	3.19 [81.0]	1.50 [38.1]	.21 [5.3]
3"	E940L	--	3.52 [89.4]	3.45 [87.6]	1.63 [41.4]	.25 [6.4]
3-1/2"	E940M	--	4.02 [102.1]	3.67 [93.2]	1.71 [43.4]	.25 [6.4]
4"	E940N	--	4.52 [114.8]	3.77 [95.6]	1.78 [45.2]	.27 [6.9]
5"	E940P	--	5.59 [142.0]	4.16 [105.7]	1.97 [50.0]	.28 [7.1]
6"	E940R	--	6.66 [169.2]	4.57 [116.1]	2.15 [54.6]	.32 [8.1]

NOTES:

1. MATERIAL: GRAY PVC
2. MATERIAL: ORANGE PVC
3. ALL DIMENSIONS ARE IN INCH/MILLIMETERS.

TITLE STANDARD COUPLINGS - SCHEDULE 40		DRN DPR	DATE 3-15-01	PART NO: SEE CHART	
LAMSON & SESSIONS	ALL DRAWINGS ARE THE PROPERTY OF LAMSON & SESSIONS AND SHALL NOT BE REPRODUCED IN ANY FORM WITHOUT LAMSON & SESSIONS' APPROVAL AND ARE TO BE PROMPTLY RETURNED UPON REQUEST.	APP. WJL	DATE	DRAWING NO: AC03922	REV. A