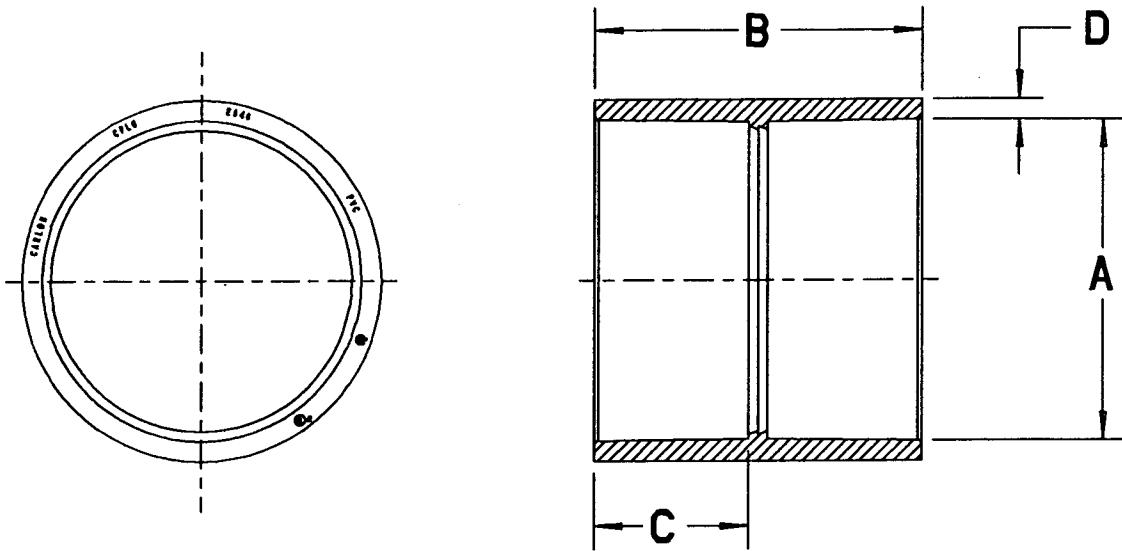


This information provided by:



Gross Automation
www.grossautomation.com

Call Toll Free:
800-349-5827



| SIZE | PART NO. SEE NOTE 1 | PART NO. SEE NOTE 2 | DIM. A | DIM. B | DIM. C | DIM. D |
|--------|------------------------|------------------------|-----------------|-----------------|----------------|--------------|
| 1/2" | E940D | -- | .85 [21.6] | 1.42 [35.8] | .68 [17.3] | .11 [3.4] |
| 3/4" | E940E | -- | 1.06 [26.9] | 1.60 [40.6] | .75 [19.1] | .13 [3.3] |
| 1" | E940F | -- | 1.33 [33.8] | 1.91 [48.5] | .90 [22.8] | .13 [3.3] |
| 1-1/4" | E940G | SCE940G | 1.67 [42.4] | 2.13 [54.1] | .97 [24.6] | .15 [3.8] |
| 1-1/2" | E940H | SCE940H | 1.92 [48.8] | 2.44 [61.9] | 1.13 [28.7] | .15 [3.8] |
| 2" | E940J | SCE940J | 2.39 [60.7] | 2.44 [61.9] | 1.15 [29.2] | .15 [3.8] |
| 2-1/2" | E940K | -- | 2.89 [73.4] | 3.19 [81.0] | 1.50 [38.1] | .21 [5.3] |
| 3" | E940L | -- | 3.52 [89.4] | 3.45 [87.6] | 1.63 [41.4] | .25 [6.4] |
| 3-1/2" | E940M | -- | 4.02 [102.1] | 3.67 [93.2] | 1.71 [43.4] | .25 [6.4] |
| 4" | E940N | -- | 4.52 [114.8] | 3.77 [95.6] | 1.78 [45.2] | .27 [6.9] |
| 5" | E940P | -- | 5.59 [142.0] | 4.16 [105.7] | 1.97 [50.0] | .28 [7.1] |
| 6" | E940R | -- | 6.66 [169.2] | 4.57 [116.1] | 2.15 [54.6] | .32 [8.1] |

NOTES:

1. MATERIAL: GRAY PVC
2. MATERIAL: ORANGE PVC
3. ALL DIMENSIONS ARE IN INCH/MILLIMETERS.

| | | | | | |
|---|--|-------------|-----------------|------------------------|-----------|
| TITLE STANDARD COUPLINGS - SCHEDULE 40 | | DRN DPR | DATE 3-15-01 | PART NO: SEE CHART | |
| LAMSON & SESSIONS | ALL DRAWINGS ARE THE PROPERTY OF LAMSON & SESSIONS AND SHALL NOT BE REPRODUCED IN ANY FORM WITHOUT LAMSON & SESSIONS' APPROVAL AND ARE TO BE PROMPTLY RETURNED UPON REQUEST. | APP. WJL | DATE | DRAWING NO: AC03922 | REV. A |