

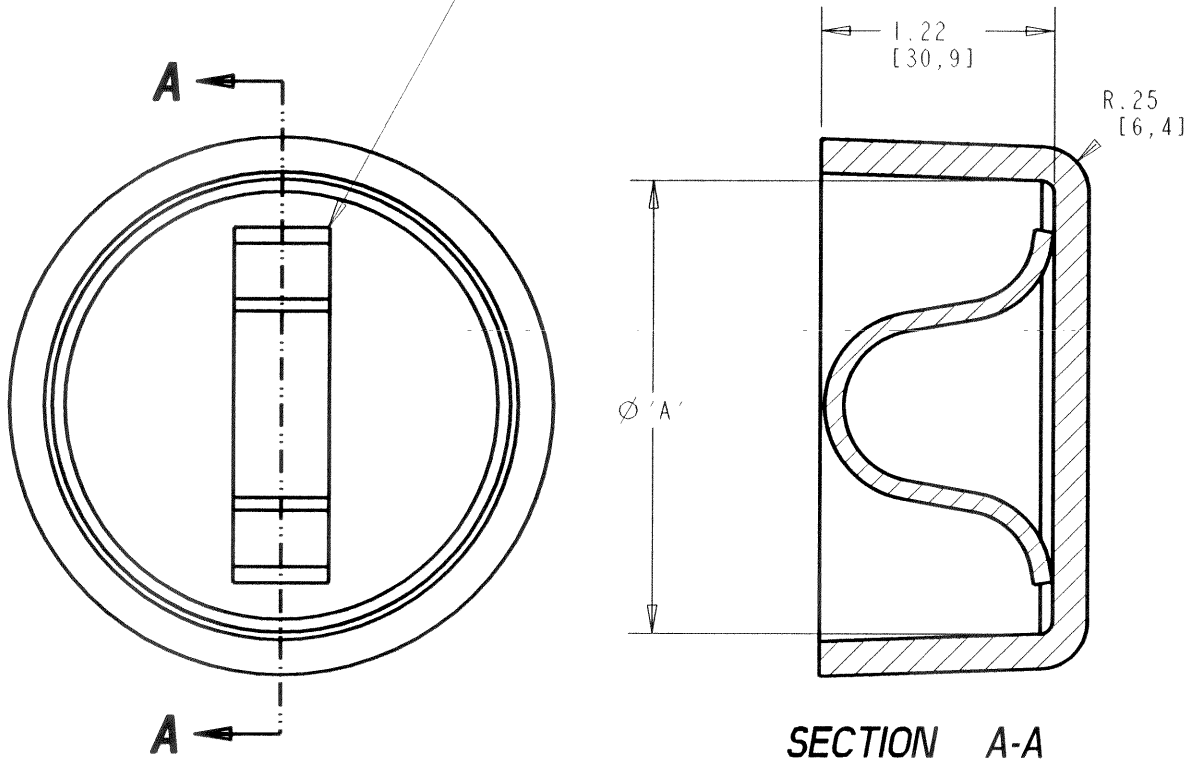
This information provided by:



Gross Automation
www.grossautomation.com

Call Toll Free:
800-349-5827

HOOK TO BE HOT GLUED IN PLACE.
 SIZE OF HOOK DEPENDANT ON CAP SIZE.



PART NO	NOMINAL PIPE SIZE	DIA 'A'	HOOK
E935J	2"	2.39 [60, 7]	YES
E935L	3"	3.52 [89, 4]	YES
E935NCP	4"	4.32 [109, 7]	NO
E935NC	4"	4.32 [109, 7]	YES
E935P	5"	5.58 [141, 7]	YES
E935R	6"	6.64 [168, 7]	YES

TITLE: RISER CAP		DRN. RG	DATE 3/30/06	PART NO: SEE CHART
LAMSON & SESSIONS	ALL DRAWINGS ARE THE PROPERTY OF LAMSON & SESSIONS AND SHALL NOT BE REPRODUCED IN ANY FORM WITHOUT LAMSON & SESSIONS' APPROVAL AND ARE TO BE PROMPTLY RETURNED UPON REQUEST.	APP. [Signature]	DATE 3/30/06	DRAWING NO: AC04865
				REV.