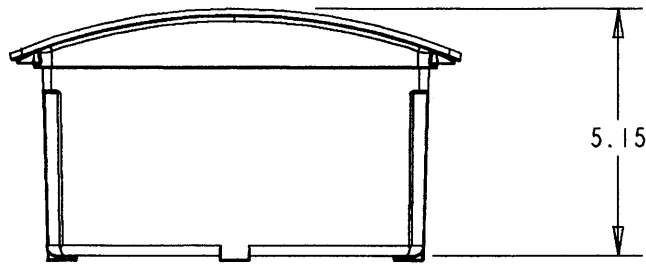
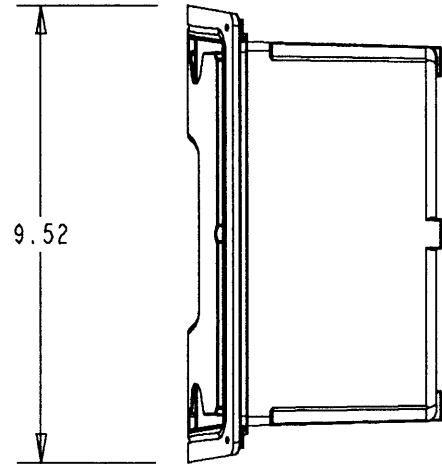
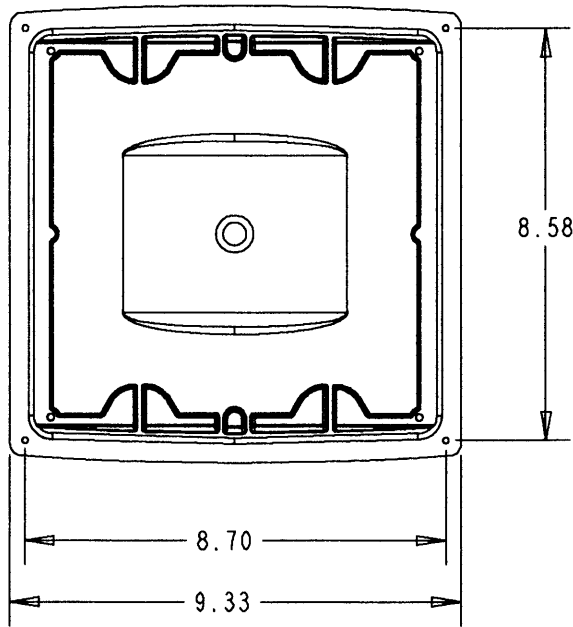


This information provided by:



Gross Automation
www.grossautomation.com

Call Toll Free:
800-349-5827



TITLE JUNCTION BOX ASSEMBLY, 24" DIA X 4" DEEP

DRN DATE
DJK 2-25-98

PART NO:
E88C24

LAMSON & SESSIONS

ALL DRAWINGS ARE THE PROPERTY OF LAMSON & SESSIONS AND SHALL NOT BE REPRODUCED IN ANY FORM WITHOUT LAMSON & SESSIONS' APPROVAL AND

APP. DATE
GT/TI 3-2-98

DRAWING NO:
AC03365

REV.
A