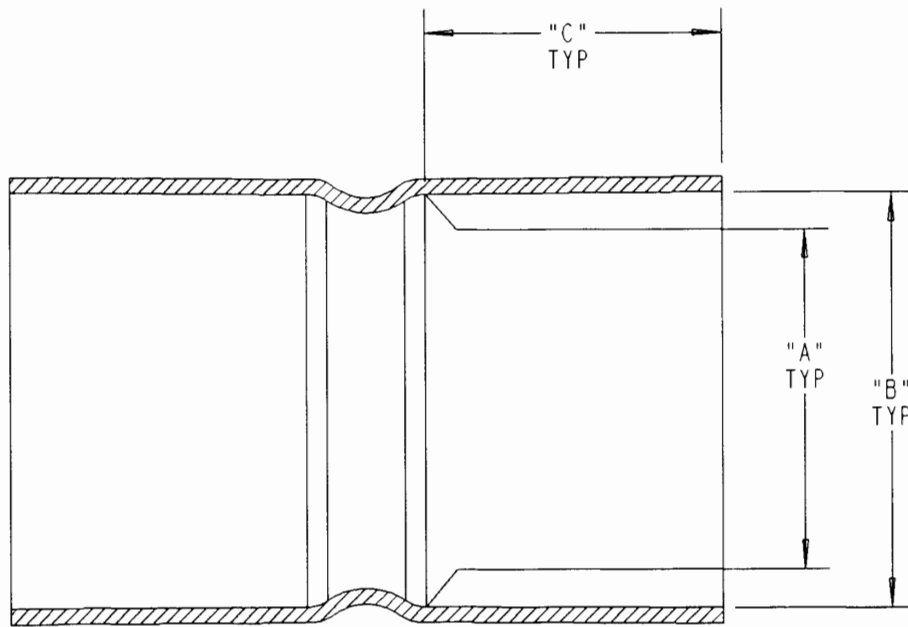


This information provided by:



Gross Automation
www.grossautomation.com

Call Toll Free:
800-349-5827



PART NO.	SIZE	DIM. A	DIM. B	DIM. C	CUT LENGTH (PRIOR TO FORMING)
E442J	2"	2.38 [60.5]	2.40 [60.9]	2.13 [54.1]	5.0
E442K	2-1/2"	2.88 [73.2]	2.91 [73.9]	3.00 [76.2]	6.5
E442L	3"	3.52 [89.4]	3.54 [89.9]	3.00 [76.2]	6.5
E442M	3-1/2"	3.99 [101.3]	4.01 [101.6]	3.61 [91.7]	7.5
E442N	4"	4.51 [114.6]	4.54 [115.3]	3.61 [91.7]	8.0
E442P	5"	5.57 [141.5]	5.61 [142.5]	4.13 [104.9]	9.0
E442R	6"	6.64 [168.7]	6.69 [169.9]	5.13 [130.3]	10.5
E442T	8"	8.64 [219.5]	8.69 [220.7]	6.25 [158.8]	16.0

NOTE:

1. ALL DIMENSIONS ARE IN INCH/[MILLIMETERS]
2. "CUT LENGTH" COLUMN IS FOR REFERENCE ONLY, AND REFERS TO THE LENGTH OF THE RAW MATERIAL PRIOR TO THE BELLING OPERATION.

TITLE: COUPLING - SWEDGED - SCH. 40 - 2" THRU 8"		DRN: RG	DATE: 1/25/02	PART NO.: SEE CHART	
LAMSON & SESSIONS	ALL DRAWINGS ARE THE PROPERTY OF LAMSON & SESSIONS AND SHALL NOT BE REPRODUCED IN ANY FORM WITHOUT LAMSON & SESSIONS' APPROVAL AND ARE TO BE PROMPTLY RETURNED UPON REQUEST.	APP: EGH	DATE: 1/25/02	DRAWING NO.:	REV.:
				AC04091	B