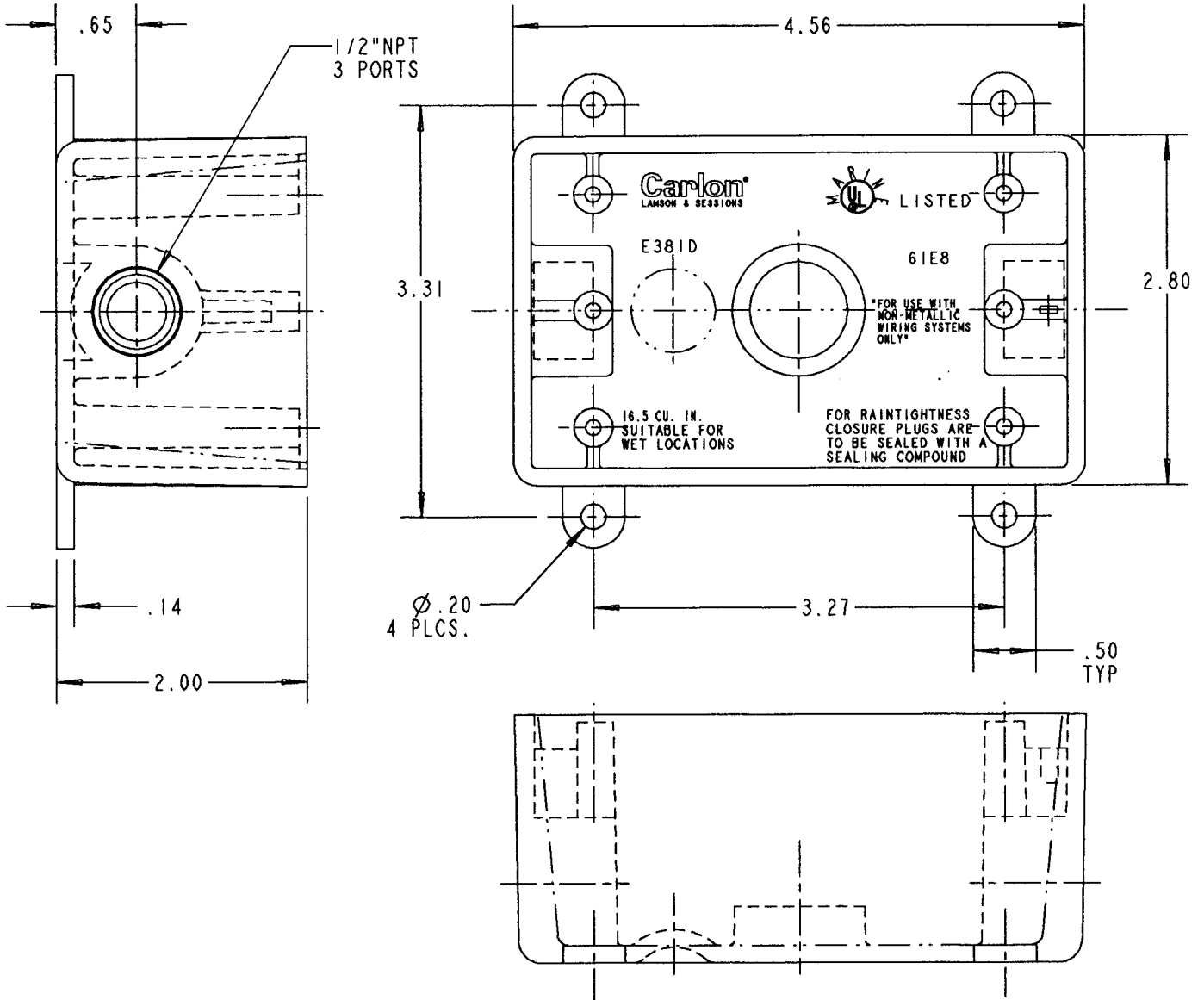


This information provided by:



Gross Automation
www.grossautomation.com

Call Toll Free:
800-349-5827



| | | | | | | | |
|-------------------|--|--|--|------|---------|--------------|---------|
| TITLE | | 1-GANG "T" BOX WITH 1/2" NPT PORTS | | DRN | DATE | PART NO.: | E381D |
| LAMSON & SESSIONS | | ALL DRAWINGS ARE THE PROPERTY OF LAMSON & SESSIONS AND SHALL NOT BE REPRODUCED IN ANY FORM WITHOUT LAMSON & SESSIONS' APPROVAL AND ARE TO BE PROMPTLY RETURNED UPON REQUEST. | | DPR | 10-4-01 | DRAWING NO.: | AC04028 |
| | | | | APP. | DATE | REV. | |