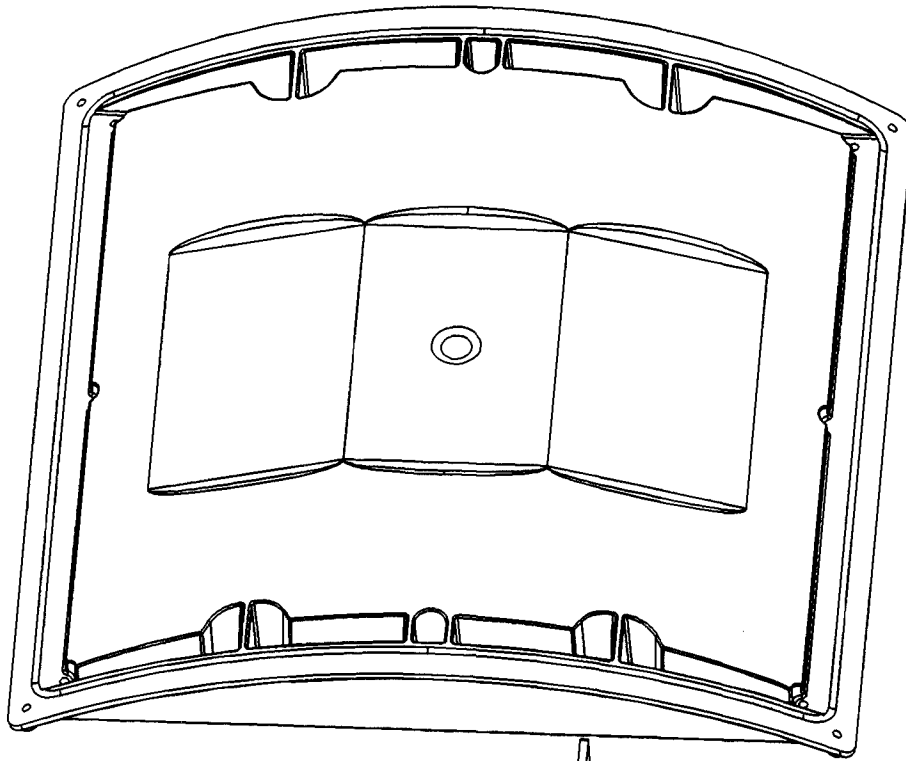


This information provided by:

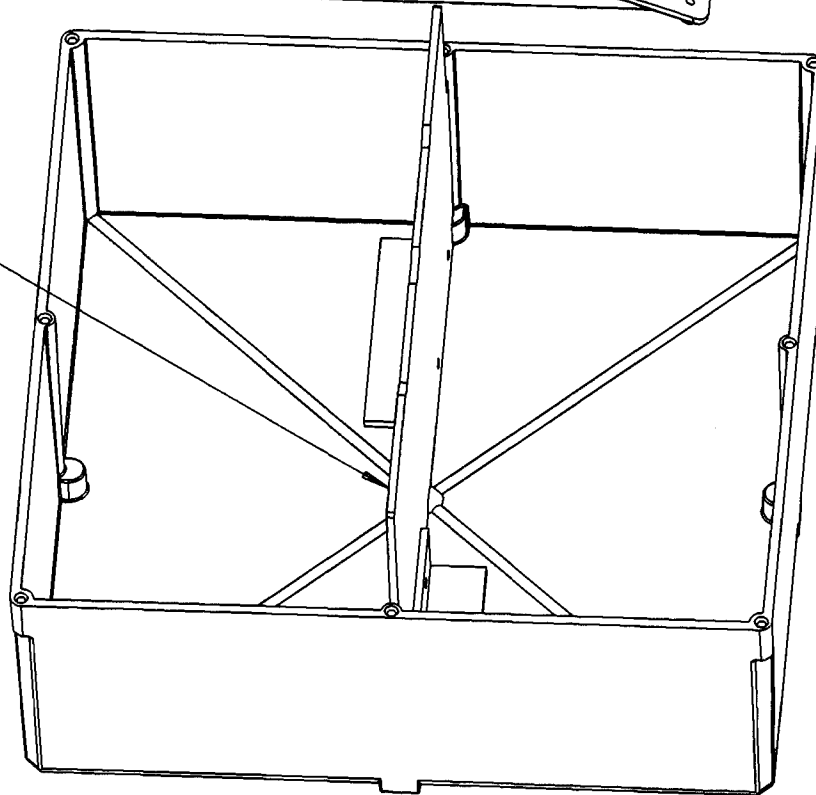


Gross Automation
www.grossautomation.com

Call Toll Free:
800-349-5827



DIVIDER
P/N E1212DIV



NOTE:

1. (REF) COMPLETE ASSEMBLY OF BOX, LID & DIVIDER IS P/N E1212C4.

TITLE 12X12X4 J-BOX DIVIDER		DRN DPR	DATE 8-21-02	PART NO: E1212DIV
LAMSON & SESSIONS	ALL DRAWINGS ARE THE PROPERTY OF LAMSON & SESSIONS AND SHALL NOT BE REPRODUCED IN ANY FORM WITHOUT LAMSON & SESSIONS' APPROVAL AND ARE TO BE PROMPTLY RETURNED UPON REQUEST.	APP. <i>EDH</i>	DATE 9/16/02	DRAWING NO: AC04218
				REV.