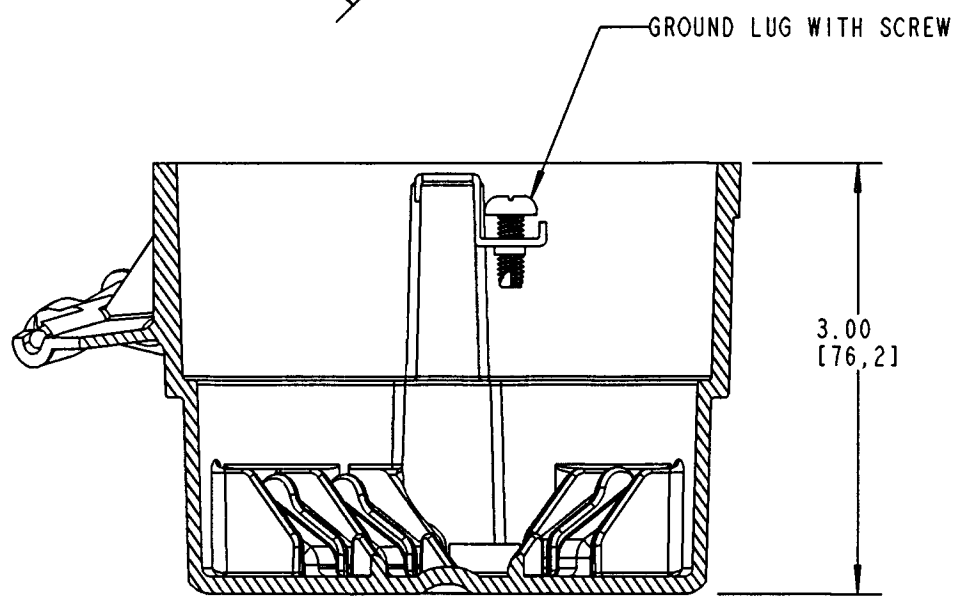
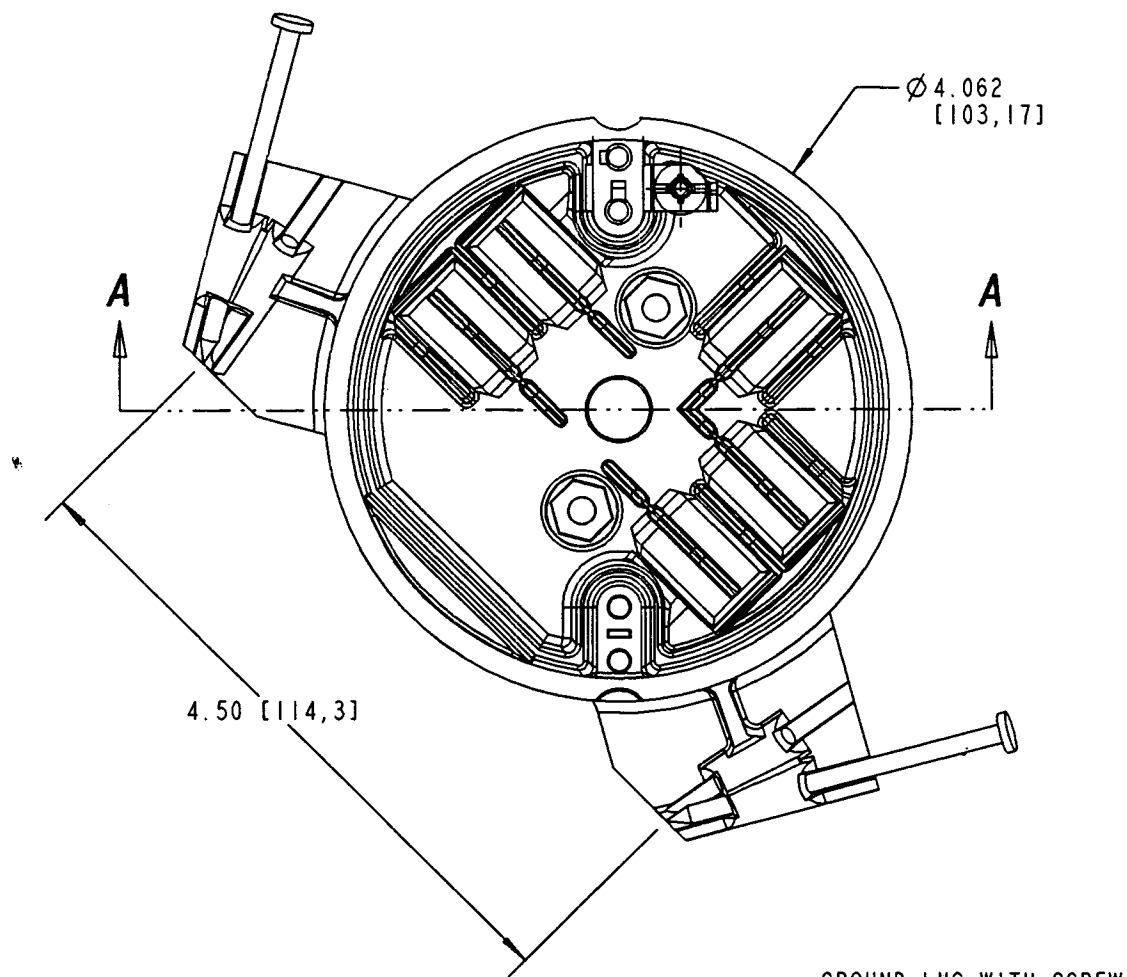


This information provided by:



Gross Automation
www.grossautomation.com

Call Toll Free:
800-349-5827



SECTION **A-A**
SCALE 0.750

NOTE:
DIMENSIONS ARE IN INCHES [MILLIMETERS].

TITLE SUPER BLUE CEILING BOX w/ GROUND LUG		DRN RG	DATE 5/15/02	PART NO: BH525P
LAMSON & SESSIONS	ALL DRAWINGS ARE THE PROPERTY OF LAMSON & SESSIONS AND SHALL NOT BE REPRODUCED IN ANY FORM WITHOUT LAMSON & SESSIONS' APPROVAL AND ARE TO BE PROMPTLY RETURNED UPON REQUEST.	APP.	DATE	DRAWING NO: AC04168
		<i>DAM 5/16/02</i>		REV.