

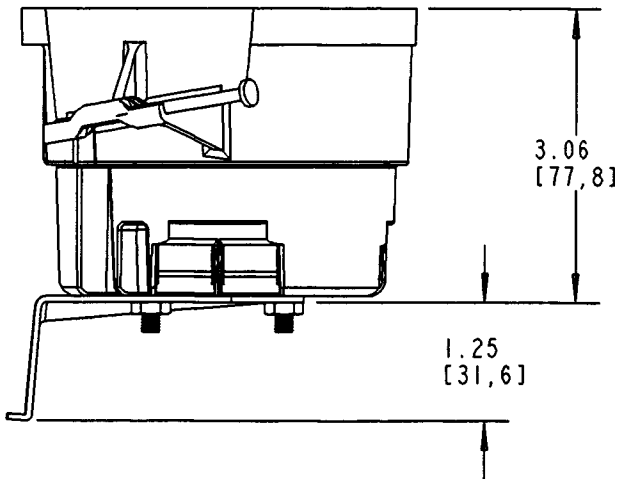
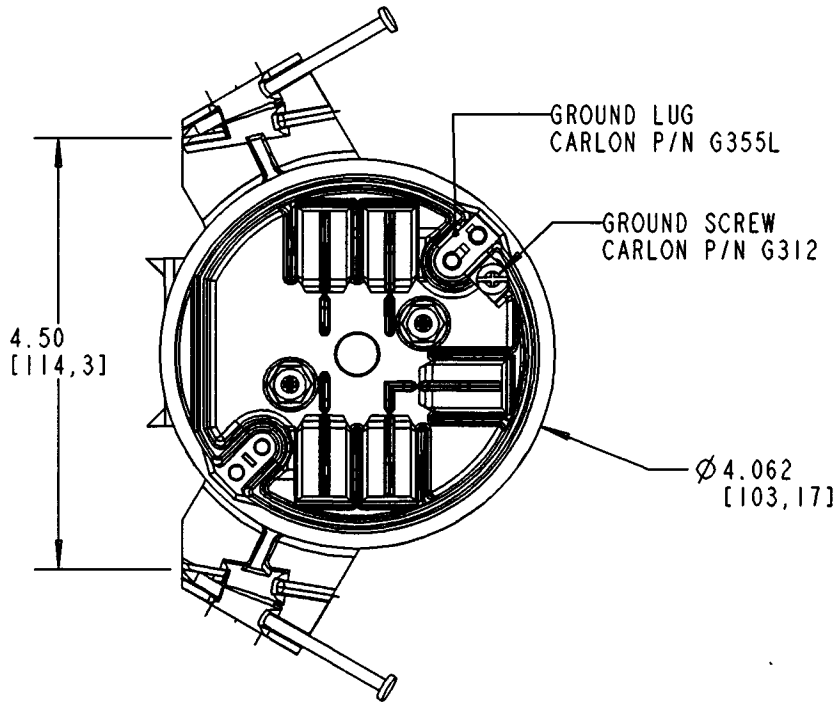
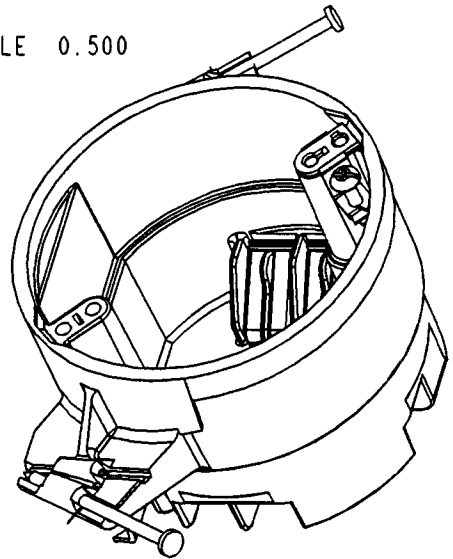
This information provided by:



Gross Automation
www.grossautomation.com

Call Toll Free:
800-349-5827

SCALE 0.500



TITLE SUPERBLUE CEILING BOX W/ "L" BRACKET & GND LUG/SCREW

DRN RG DATE 7/9/02

PART NO: BH525LP

LAMSON & SESSIONS

ALL DRAWINGS ARE THE PROPERTY OF LAMSON & SESSIONS AND SHALL NOT BE REPRODUCED IN ANY FORM WITHOUT LAMSON & SESSIONS' APPROVAL AND ARE TO BE PROMPTLY RETURNED UPON REQUEST.

APP. [Signature] DATE 7/11/02

DRAWING NO: AC04197

REV.