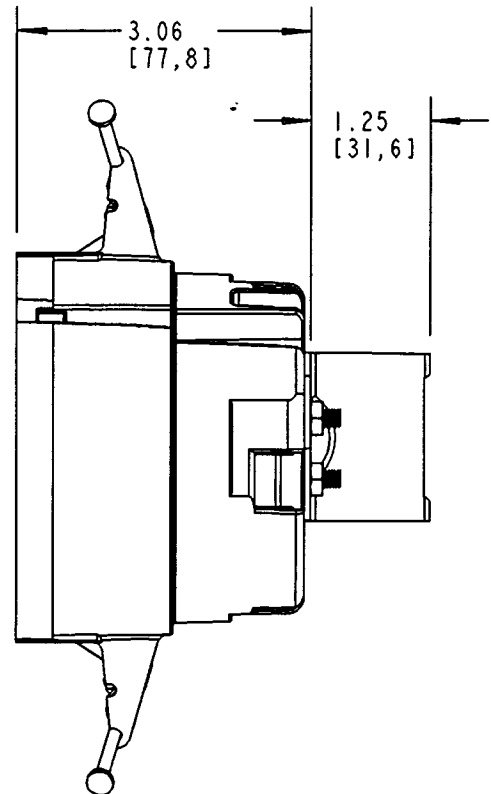
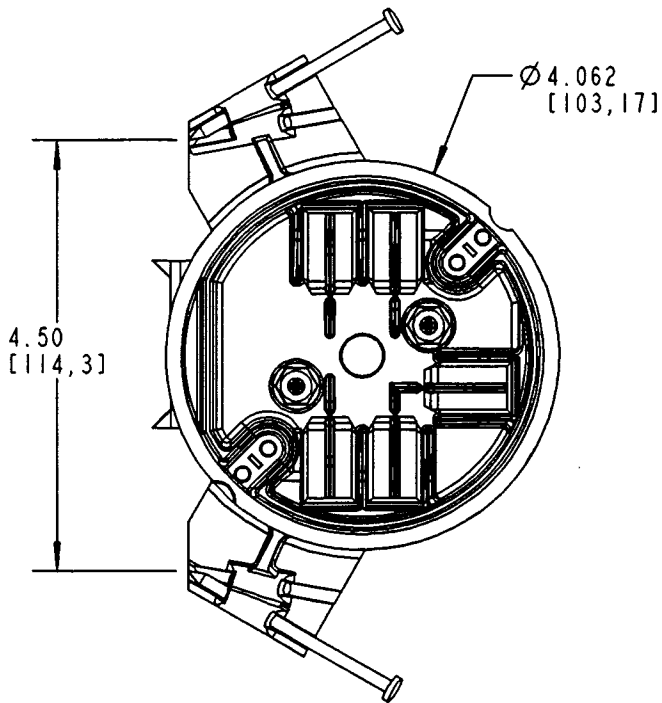
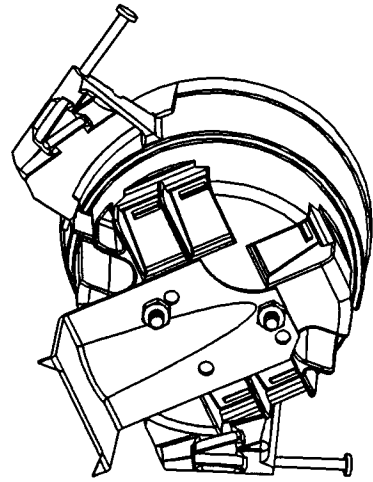
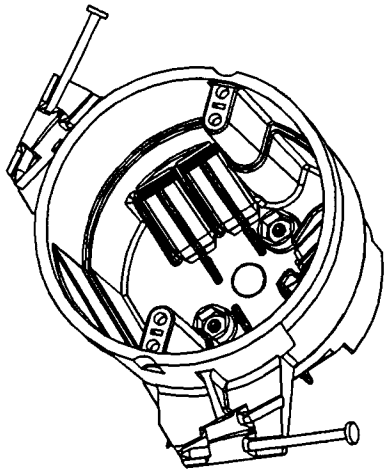


This information provided by:



Gross Automation  
[www.grossautomation.com](http://www.grossautomation.com)

Call Toll Free:  
**800-349-5827**



NOTE:  
DIMENSIONS ARE IN INCHES [MILLIMETERS].

TITLE	SUPER BLUE CEILING BOX w/ "L" BRACKET	DRN	DATE	PART NO.:	BH525L
LAMSON & SESSIONS	ALL DRAWINGS ARE THE PROPERTY OF LAMSON & SESSIONS AND SHALL NOT BE REPRODUCED IN ANY FORM WITHOUT LAMSON & SESSIONS' APPROVAL AND ARE TO BE PROMPTLY RETURNED UPON REQUEST.	RG	5/15/02	APP	DRAWING NO.:
			DATE	<i>[Signature]</i> 5/16/02	AC04164
					REV.