

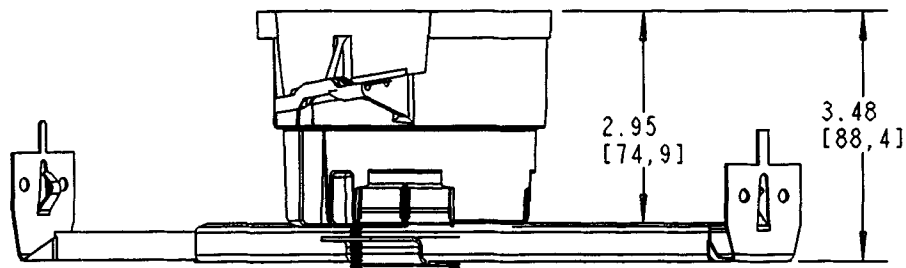
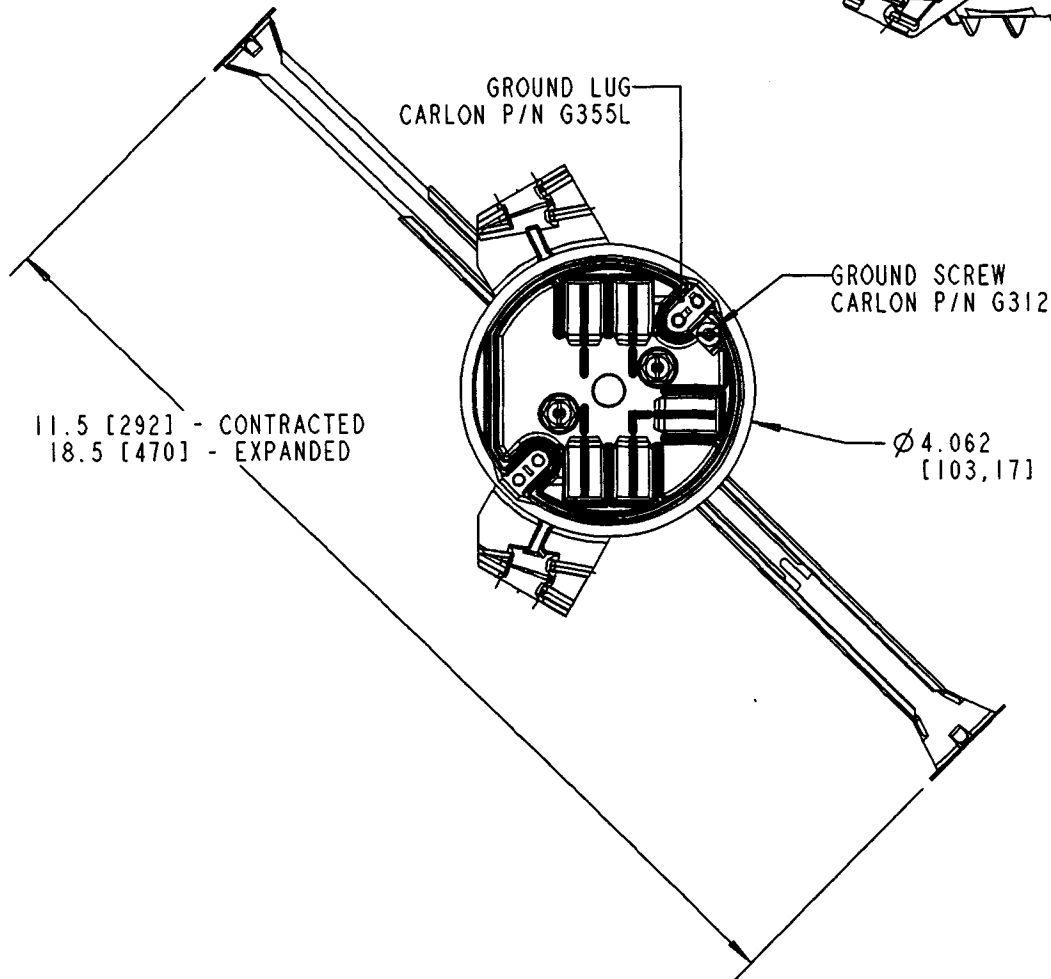
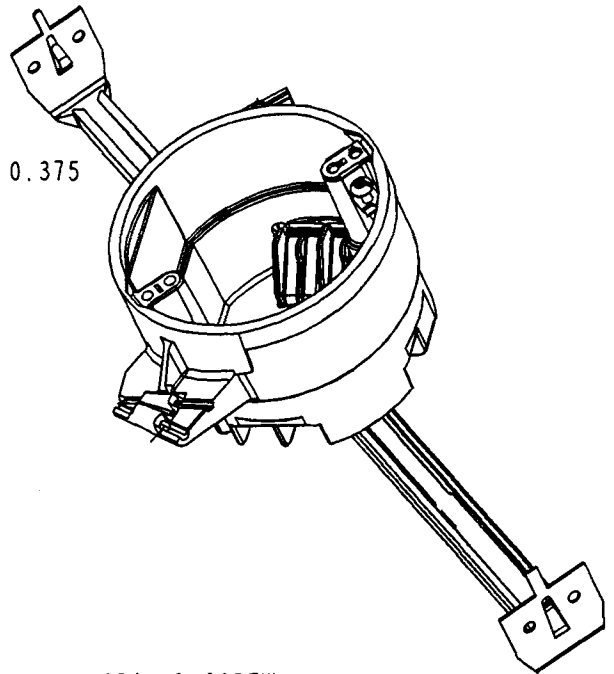
This information provided by:



Gross Automation  
[www.grossautomation.com](http://www.grossautomation.com)

Call Toll Free:  
**800-349-5827**

SCALE 0.375



TITLE SUPERBLUE CEILING BOX W/ HANGER BRKT & GROUND LUG/SCREW		DRN RG	DATE 7/9/02	PART NO: BH525HP
LAMSON & SESSIONS	ALL DRAWINGS ARE THE PROPERTY OF LAMSON & SESSIONS AND SHALL NOT BE REPRODUCED IN ANY FORM WITHOUT LAMSON & SESSIONS' APPROVAL AND ARE TO BE PROMPTLY RETURNED UPON REQUEST.	APP.	DATE 7/11/02	DRAWING NO: AC04196
				REV.