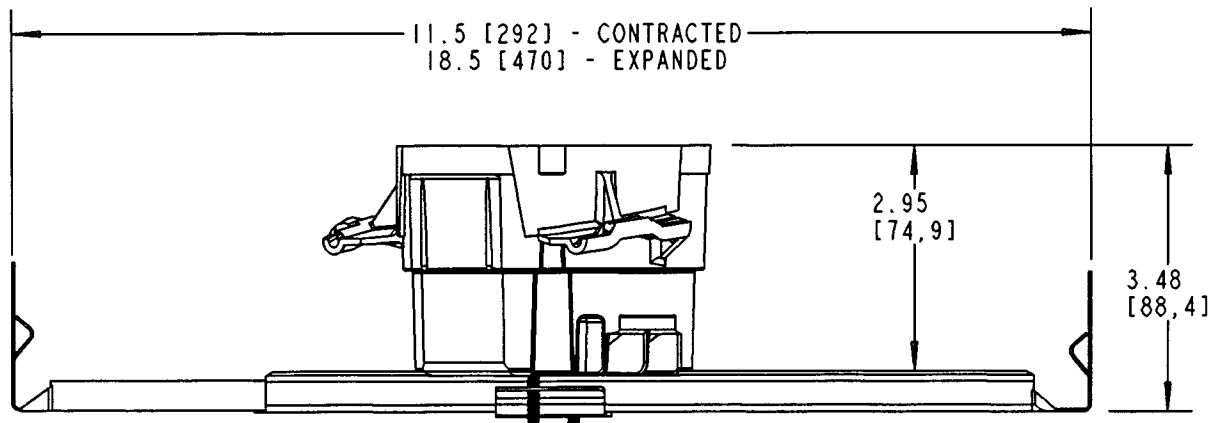
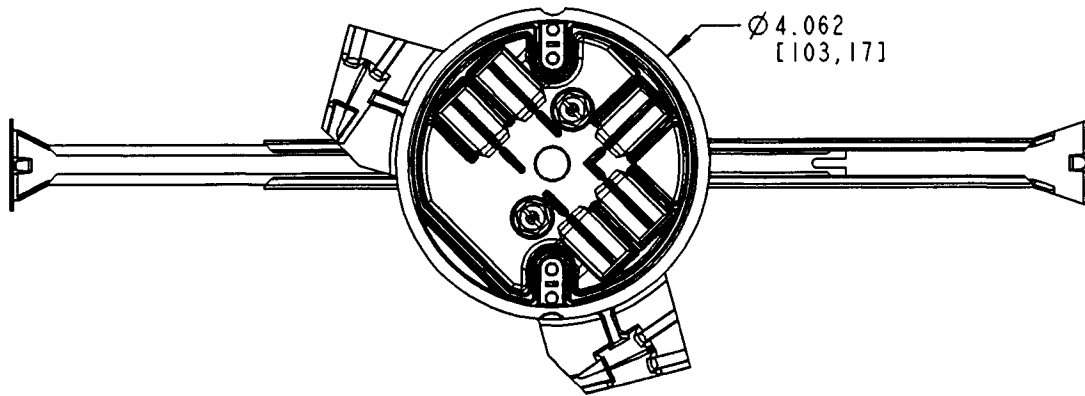
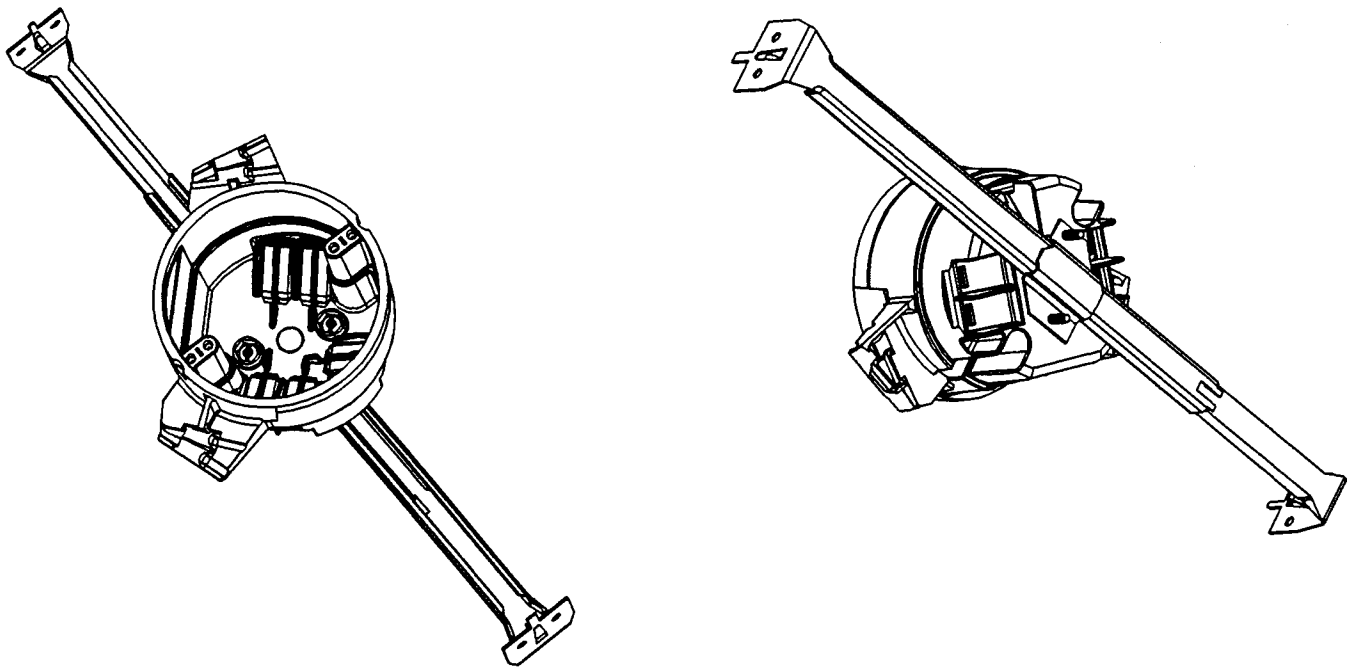


This information provided by:



Gross Automation
www.grossautomation.com

Call Toll Free:
800-349-5827



NOTE:
DIMENSIONS ARE IN INCHES [MILLIMETERS].

TITLE: SUPER BLUE CEILING BOX w/ HANGER BRACKET		DRN: RG	DATE: 5/16/02	PART NO: BH525H
LAMSON & SESSIONS	ALL DRAWINGS ARE THE PROPERTY OF LAMSON & SESSIONS AND SHALL NOT BE REPRODUCED IN ANY FORM WITHOUT LAMSON & SESSIONS' APPROVAL AND ARE TO BE PROMPTLY RETURNED UPON REQUEST.	APP.:	DATE: 5/16/02	DRAWING NO: AC04163