

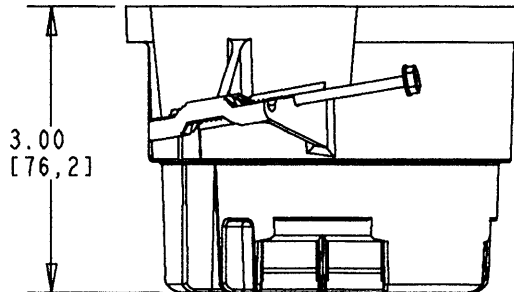
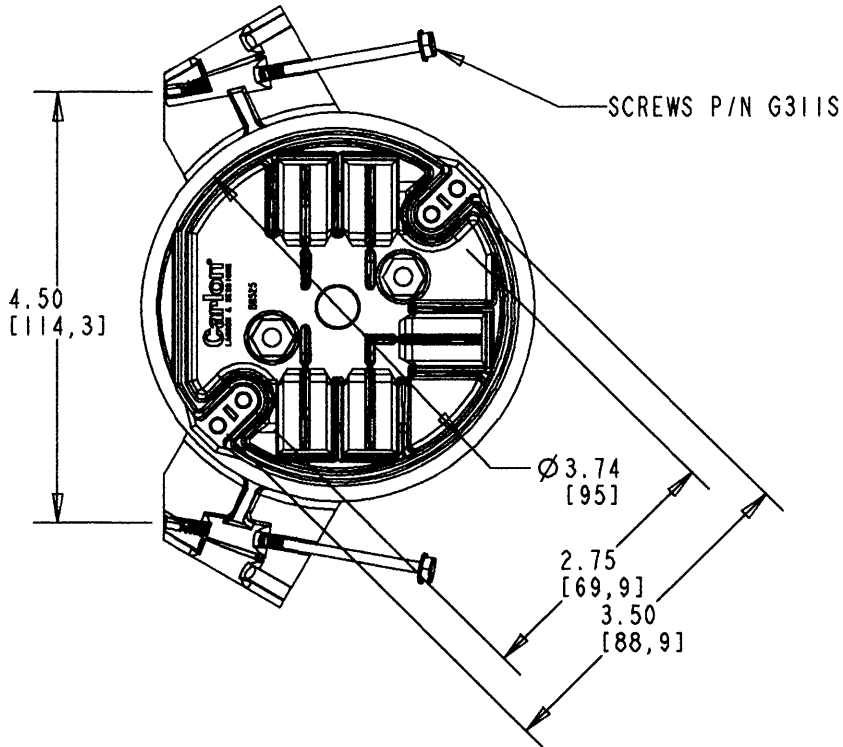
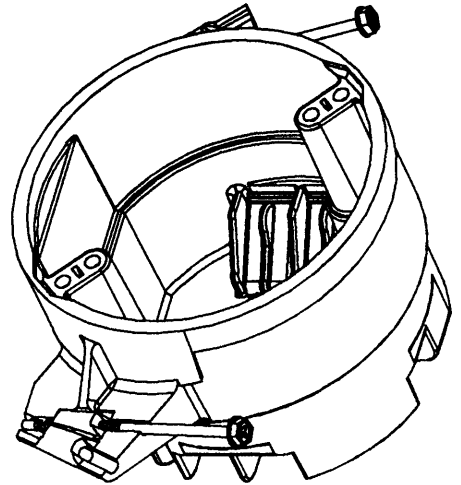
This information provided by:



Gross Automation
www.grossautomation.com

Call Toll Free:
800-349-5827

CARLON

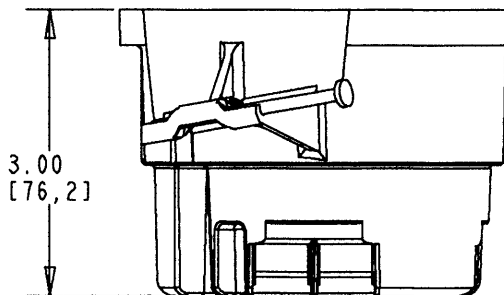
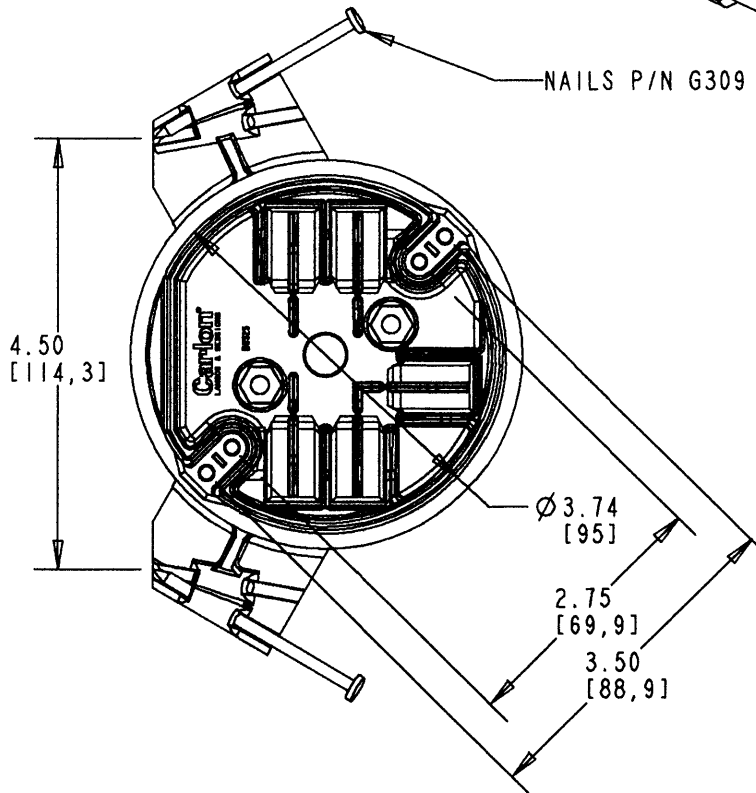
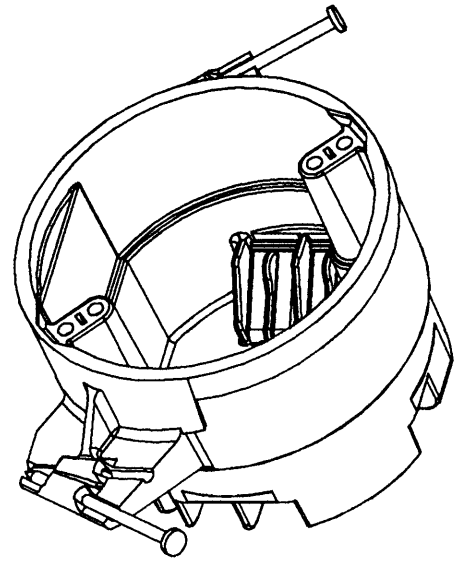


WIRE GA. / CONDUCTORS

12 / 14
10 / 12
9 / 10

TITLE SUPER BLUE CEILING BOX - 24.5 CU. IN. VOL.		DRN DPR	DATE 9-13-99	PART NO:	BH525S	
LAMSON & SESSIONS	ALL DRAWINGS ARE THE PROPERTY OF LAMSON & SESSIONS AND SHALL NOT BE REPRODUCED IN ANY FORM WITHOUT LAMSON & SESSIONS' APPROVAL AND ARE TO BE PROMPTLY RETURNED UPON REQUEST.	APP. KEF	DATE 9-14-99	DRAWING NO:	AC03647	REV. A
				SHT. 1 OF 2		

CARLON



WIRE GA. / CONDUCTORS
 12 / 14
 10 / 12
 9 / 10

TITLE SUPER BLUE CEILING BOX - 24.5 CU. IN. VOL

DRN DATE
 DPR 9-13-99

PART NO:
BH525A

LAMSON & SESSIONS

ALL DRAWINGS ARE THE PROPERTY OF LAMSON & SESSIONS AND SHALL NOT BE REPRODUCED IN ANY FORM WITHOUT LAMSON & SESSIONS' APPROVAL AND ARE TO BE PROMPTLY RETURNED UPON REQUEST.

APP DATE
 KEF 9-14-99

DRAWING NO:
AC03647
 SHT. 2 OF 2

REV.
A