

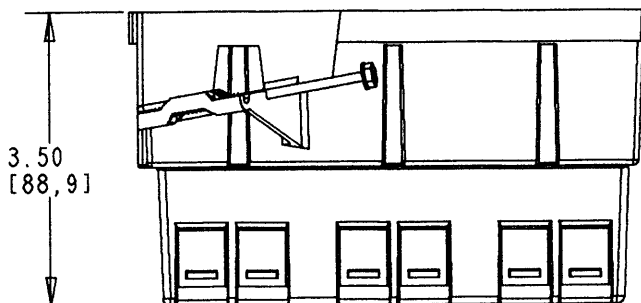
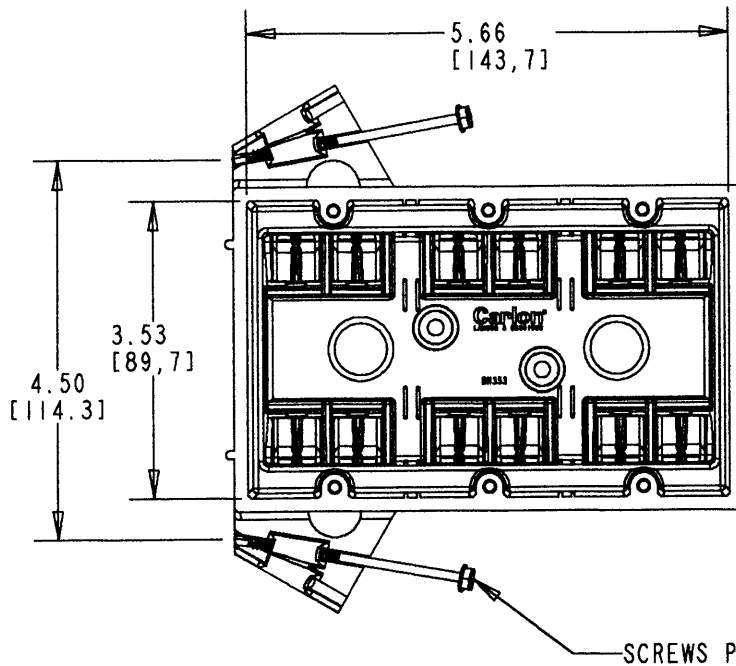
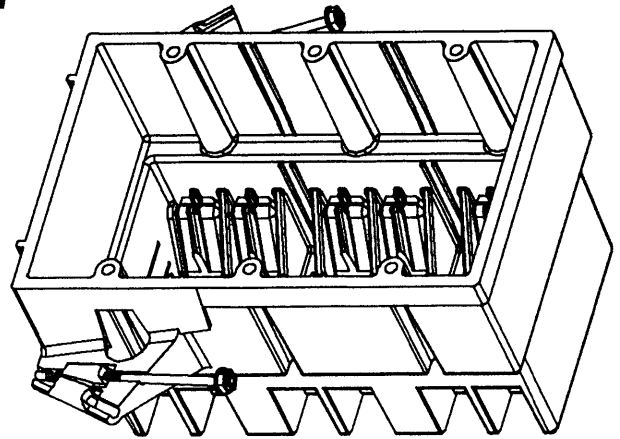
This information provided by:



Gross Automation
www.grossautomation.com

Call Toll Free:
800-349-5827

CARLON



WIRE GA. / CONDUCTORS
 26 / 14
 23 / 12
 20 / 10

TITLE 3-GANG SUPER BLUE OUTLET & SWITCH BOX - 52 CU. IN. VOL

DRN. DATE
DPR 9-13-99

PART NO: **BH353S**

LAMSON & SESSIONS

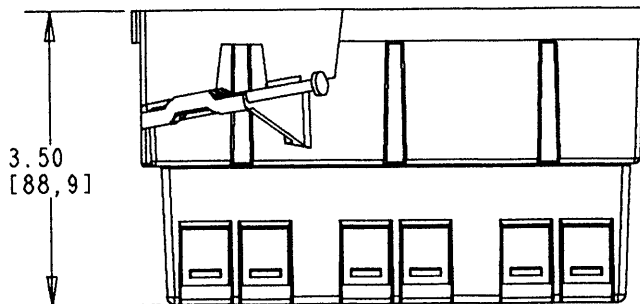
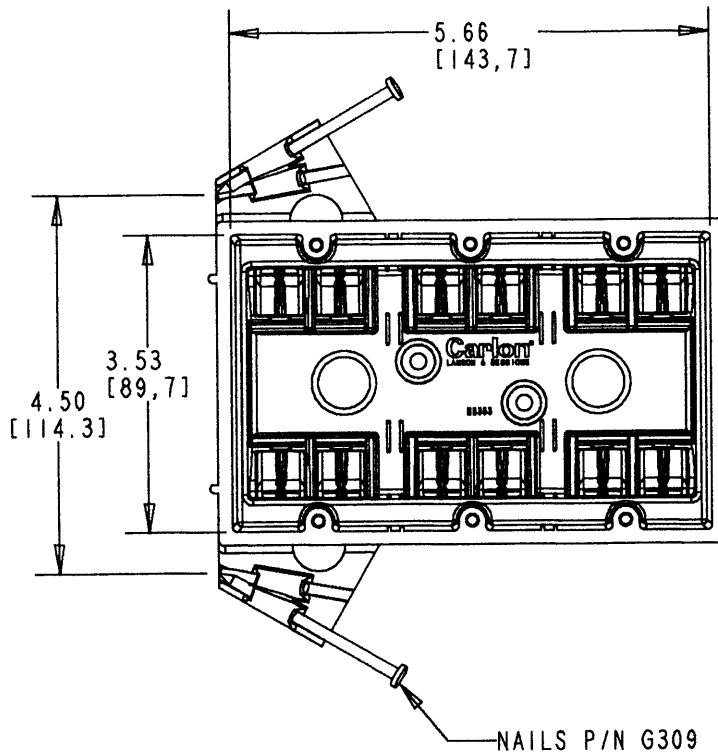
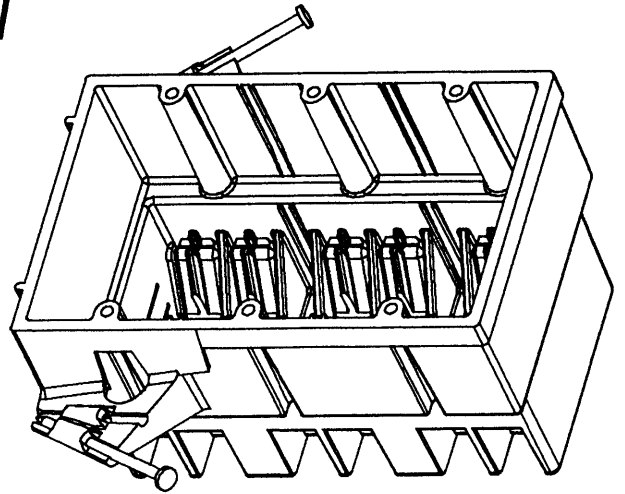
ALL DRAWINGS ARE THE PROPERTY OF LAMSON & SESSIONS AND SHALL NOT BE REPRODUCED IN ANY FORM WITHOUT LAMSON & SESSIONS' APPROVAL AND ARE TO BE PROMPTLY RETURNED UPON REQUEST.

APP. DATE
KEF 9-14-99

DRAWING NO: **AC03644**
SHT. 1 OF 2

REV. **A**

CARLON



WIRE GA. / CONDUCTORS

26 / 14
23 / 12
20 / 10

TITLE 3-GANG SUPER BLUE OUTLET & SWITCH BOX - 52 CU. IN. VOL.

DRN. DATE
DPR 9-13-99

PART NO:

BH353A

LAMSON & SESSIONS

ALL DRAWINGS ARE THE PROPERTY OF LAMSON & SESSIONS AND SHALL NOT BE REPRODUCED IN ANY FORM WITHOUT LAMSON & SESSIONS' APPROVAL AND ARE TO BE PROMPTLY RETURNED UPON REQUEST.

APP. DATE
KEF 9-14-99

DRAWING NO:

AC03644
SHT. 2 OF 2

REV.
A