

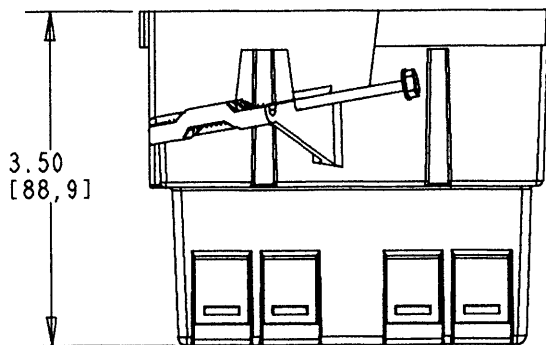
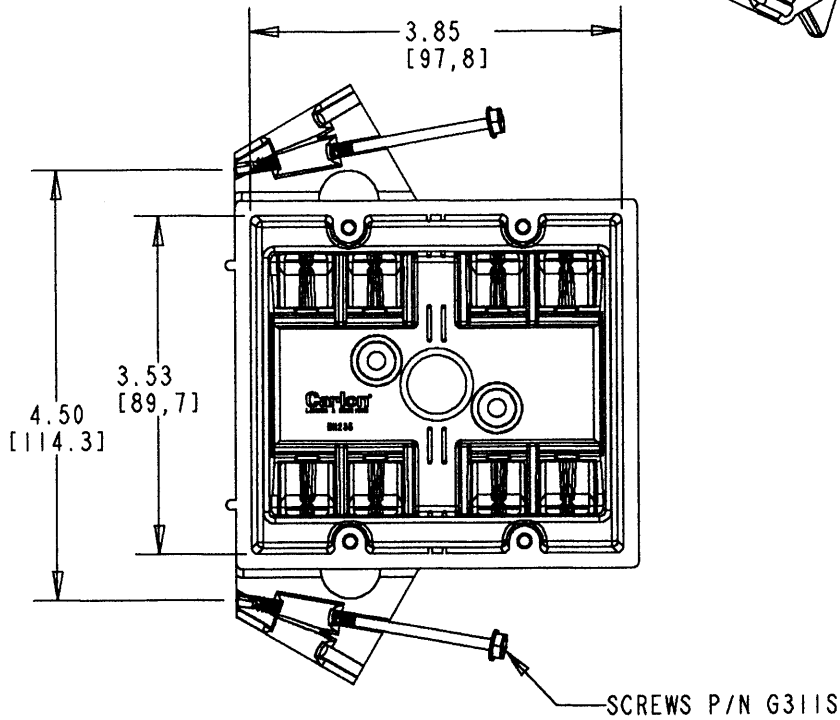
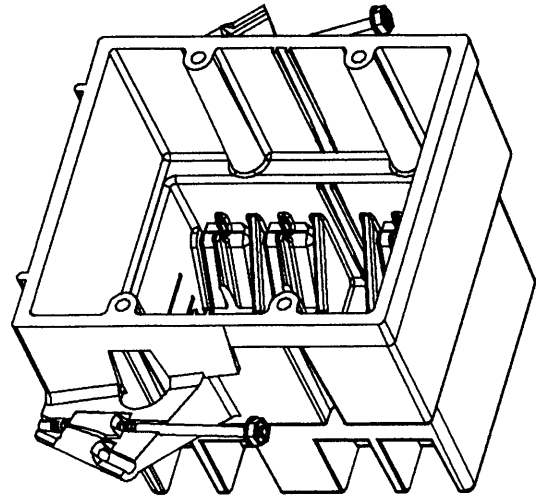
This information provided by:



Gross Automation  
[www.grossautomation.com](http://www.grossautomation.com)

Call Toll Free:  
**800-349-5827**

# CARLON



WIRE GA. / CONDUCTORS

17 / 14  
15 / 12  
14 / 10

TITLE 2-GANG SUPER BLUE OUTLET & SWITCH BOX - 35 CU. IN. VOL.

DRN. DATE  
DPR 9-13-99

PART NO:

**BH235S**

**LAMSON & SESSIONS**

ALL DRAWINGS ARE THE PROPERTY OF LAMSON & SESSIONS AND SHALL NOT BE REPRODUCED IN ANY FORM WITHOUT LAMSON & SESSIONS' APPROVAL AND ARE TO BE PROMPTLY RETURNED UPON REQUEST.

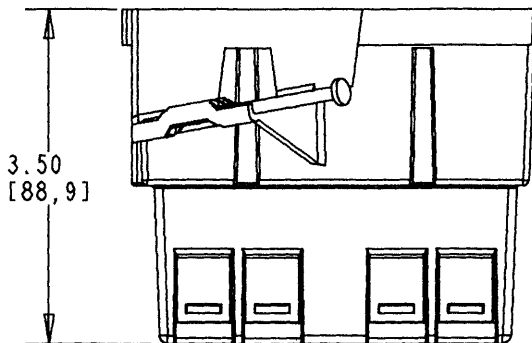
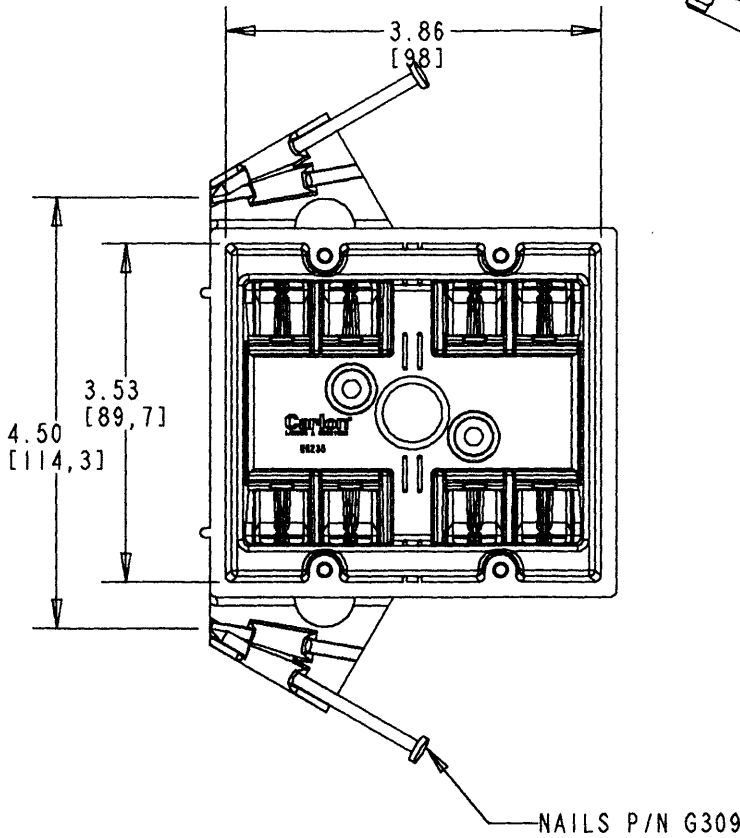
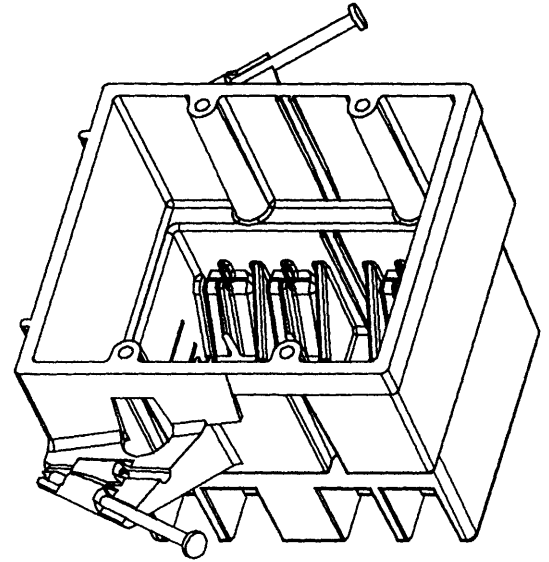
APP. DATE  
KEF 9-14-99

DRAWING NO:

**AC03643**  
SHT. 1 OF 2

REV.

# CARLON



WIRE GA. / CONDUCTORS

17 / 14  
15 / 12  
14 / 10

TITLE 2-GANG SUPER BLUE OUTLET & SWITCH BOX - 35 CU. IN. VOL.

DRN DATE  
DPR 9-13-99

PART NO:

**BH235A**

**LAMSON & SESSIONS**

ALL DRAWINGS ARE THE PROPERTY OF LAMSON & SESSIONS AND SHALL NOT BE REPRODUCED IN ANY FORM WITHOUT LAMSON & SESSIONS' APPROVAL AND ARE TO BE PROMPTLY RETURNED UPON REQUEST.

APP. DATE  
KEF 9-14-99

DRAWING NO:

**AC03643**  
SHT. 2 OF 2

REV.