

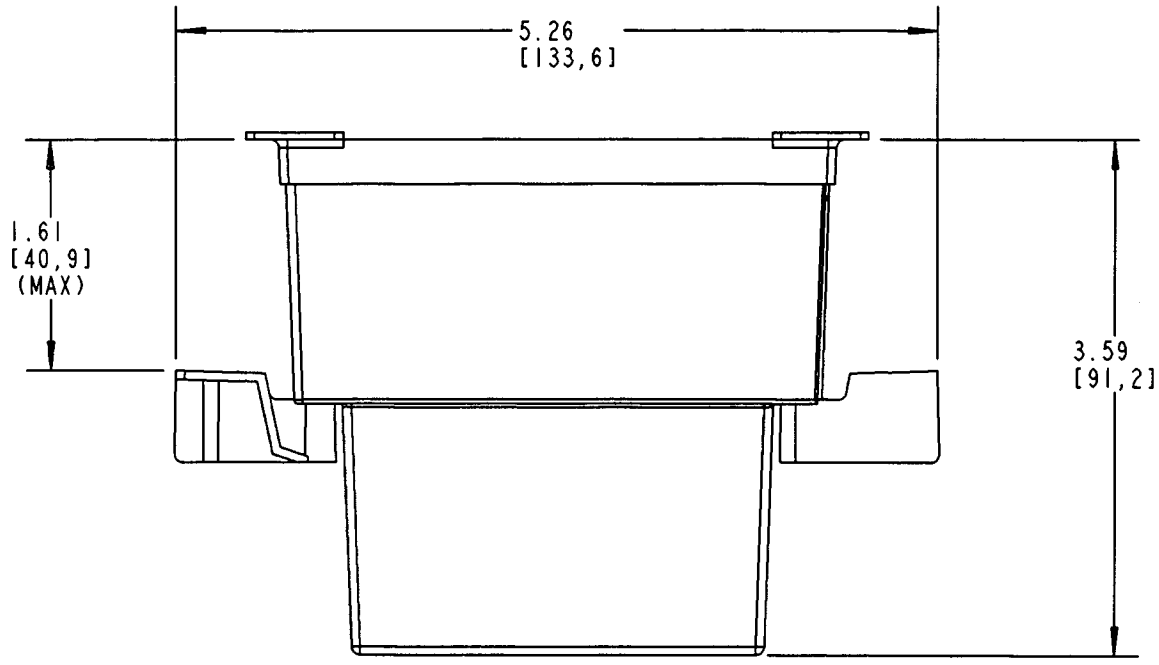
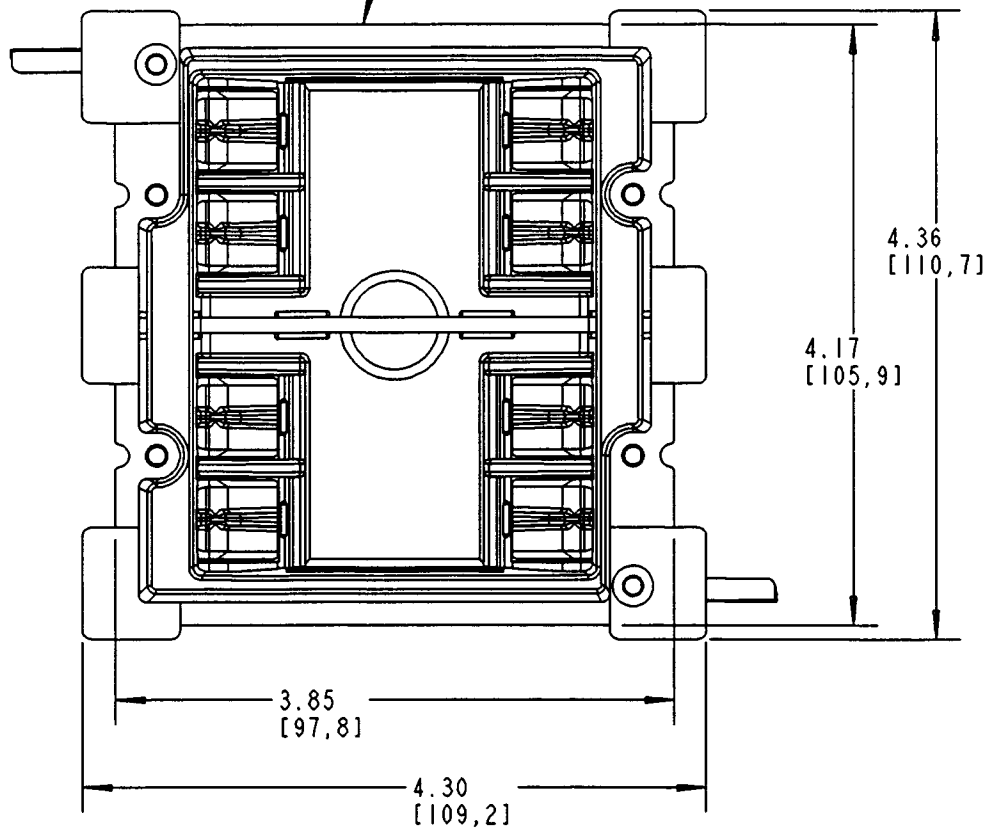
This information provided by:



Gross Automation
www.grossautomation.com

Call Toll Free:
800-349-5827

VIEW DEPICTS
SWING CLAMPS
FULLY EXTENDED



NOTE:
DIMENSIONS ARE IN INCHES [MILLIMETERS].

TITLE 2-GANG SUPER BLUE OLD WORK BOX		DRN RG	DATE 5/15/02	PART NO: BH234R
LAMSON & SESSIONS	ALL DRAWINGS ARE THE PROPERTY OF LAMSON & SESSIONS AND SHALL NOT BE REPRODUCED IN ANY FORM WITHOUT LAMSON & SESSIONS' APPROVAL AND ARE TO BE PROMPTLY RETURNED UPON REQUEST.	APP.	DATE <i>RAM 5/16/02</i>	DRAWING NO: AC04167
				REV.