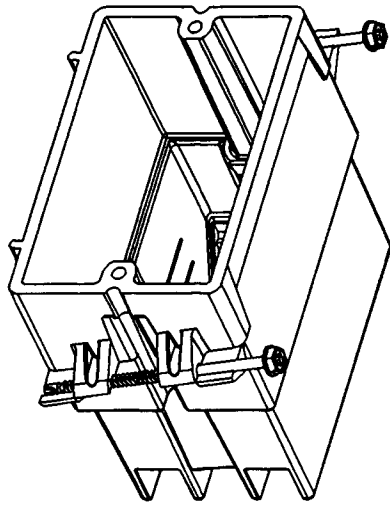


This information provided by:



Gross Automation
www.grossautomation.com

Call Toll Free:
800-349-5827

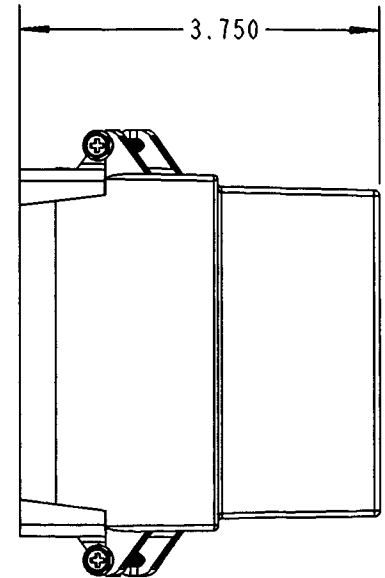
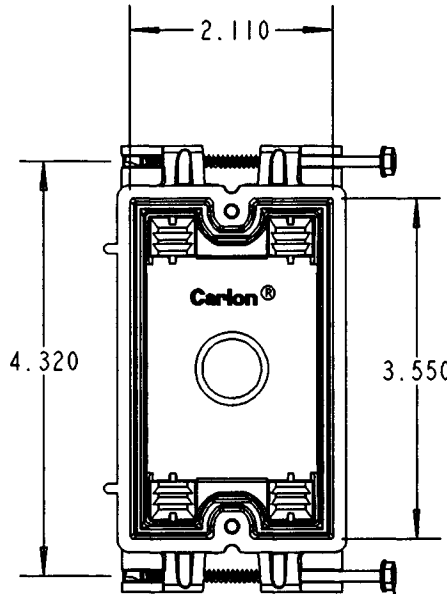


SCALE 0.500

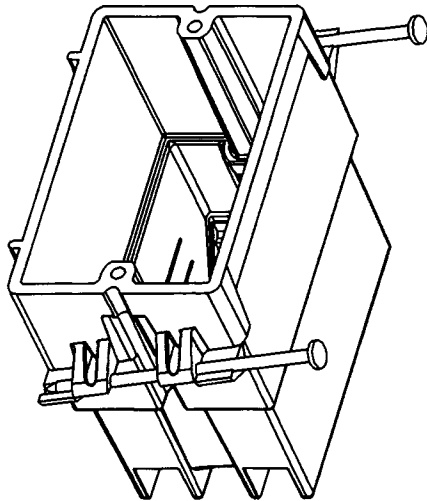
WIRE GA. / CONDUCTORS

11 / 14
9 / 12
8 / 10

BH122S



SCREWS
P/N G310S

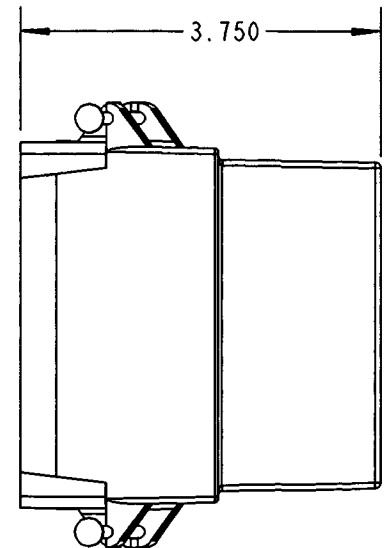
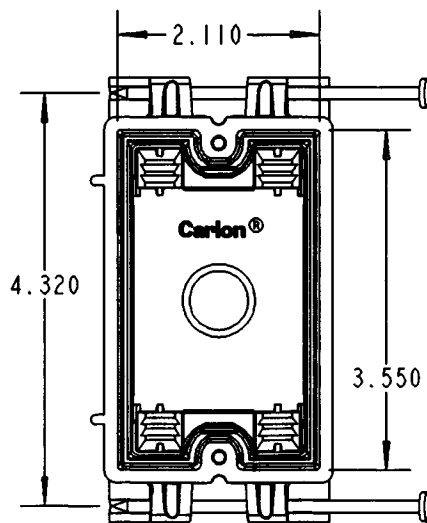


SCALE 0.500

WIRE GA. / CONDUCTORS

11 / 14
9 / 12
8 / 10

BH122A



NAILS
P/N G310

TITLE 1-GANG SUPER BLUE OUTLET & SWITCH BOX - 22 CU. IN. VOL.

DRN RG 2/5/03

PART NO: **BH122A & BH122S**

LAMSON & SESSIONS

ALL DRAWINGS ARE THE PROPERTY OF LAMSON & SESSIONS AND SHALL NOT BE REPRODUCED IN ANY FORM WITHOUT LAMSON & SESSIONS' APPROVAL AND ARE TO BE PROMPTLY RETURNED UPON REQUEST.

APP. DATE *M. A. R. 2-5-03*

DRAWING NO: **AC04319**

REV.