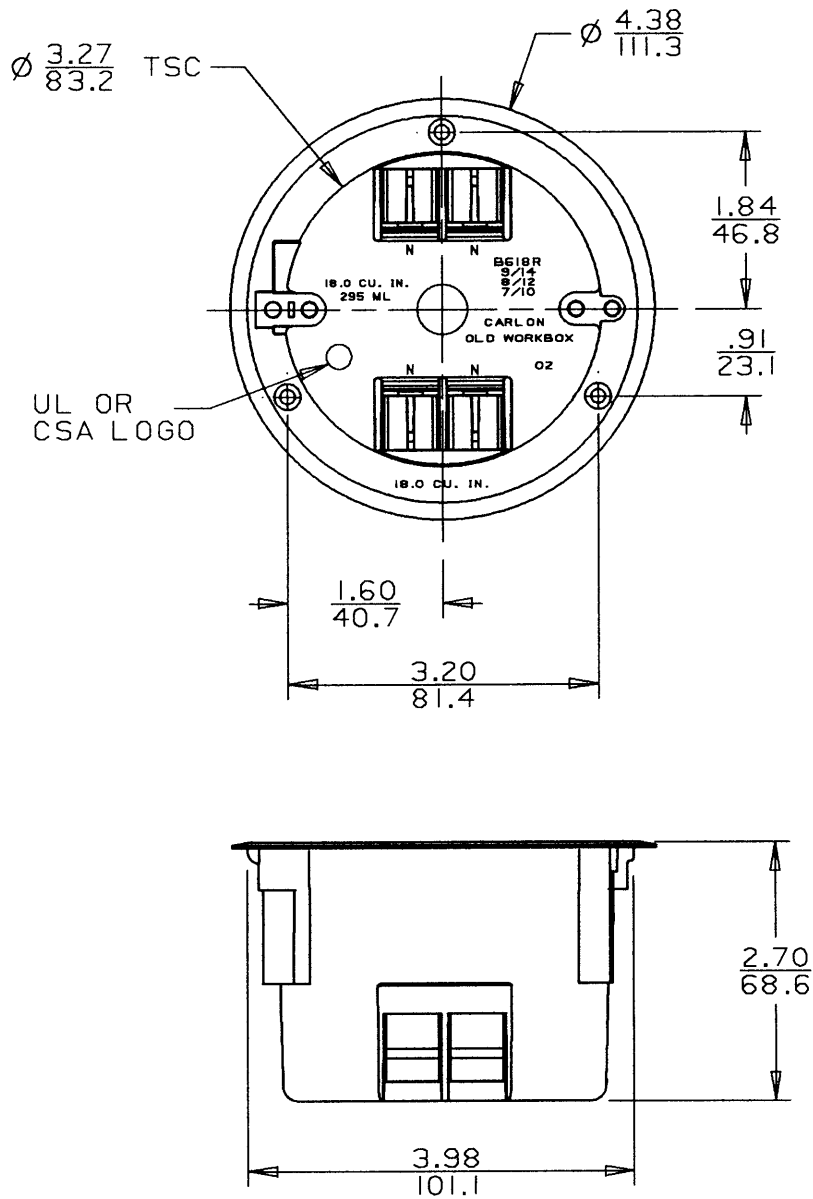


This information provided by:



Gross Automation
www.grossautomation.com

Call Toll Free:
800-349-5827



NOTE :
 1. (2) 6-20X1-1/2" PAN HEAD SCREWS
 & SWING CLAMPS INCLUDED.
 2. DIMENSIONS ARE INCH/METRIC.

TITLE: 18 CU. IN. VOL. OLD WORK BOX		DRN. DATE MSC 11/29/94	PART NO: B618R
LAMSON & SESSIONS	ALL DRAWINGS ARE THE PROPERTY OF LAMSON & SESSIONS AND SHALL NOT BE REPRODUCED IN ANY FORM WITHOUT LAMSON & SESSIONS' APPROVAL AND ARE TO BE PROMPTLY RETURNED UPON REQUEST.	APP. DATE DJP 6/28/96	DRAWING NO: AC02070
			REV.