

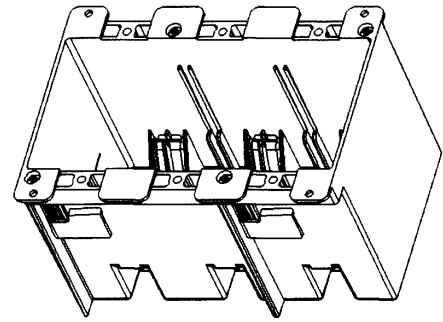
This information provided by:



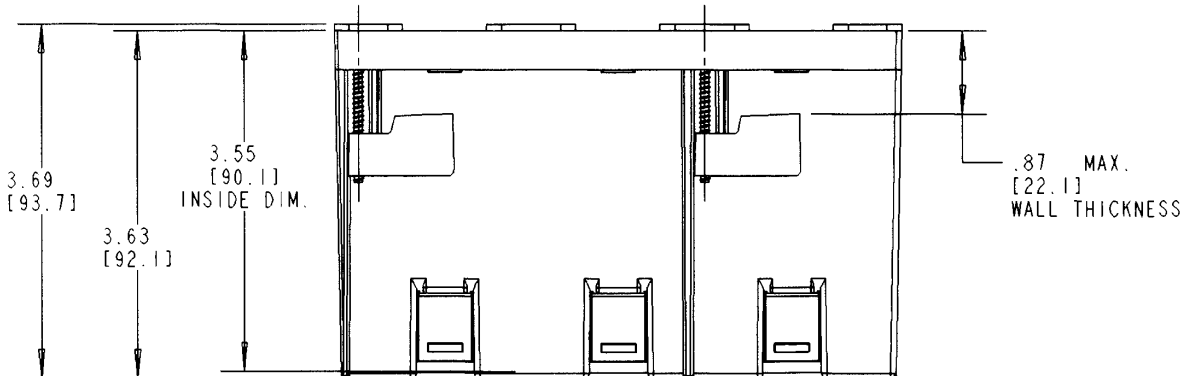
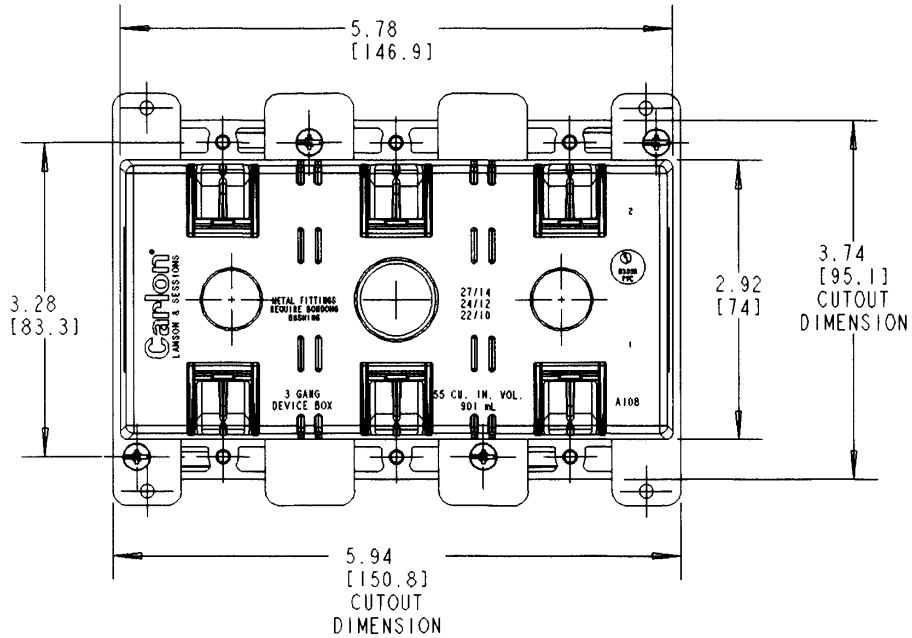
Gross Automation
www.grossautomation.com

Call Toll Free:
800-349-5827

CARLON



SCALE 0.300



NOTES:

1. DIMENSIONS ARE SHOWN IN INCHES [MILLIMETERS].
2. PRODUCT IS UL AND C-UL LISTED.
3. CAPACITY: 55 CU. IN. VOL.

| | | | | |
|----------------------------|--|----------|---------------|------------------------|
| TITLE: 3-GANG OLD WORK BOX | | DRN: DPR | DATE: 7-29-98 | PART NO.: B355R/CB355R |
| LAMSON & SESSIONS | ALL DRAWINGS ARE THE PROPERTY OF LAMSON & SESSIONS AND SHALL NOT BE REPRODUCED IN ANY FORM WITHOUT LAMSON & SESSIONS' APPROVAL AND ARE TO BE PROMPTLY RETURNED UPON REQUEST. | APP. SL | DATE: 9-5-98 | DRAWING NO.: AC03434 |
| | | | | REV. B |