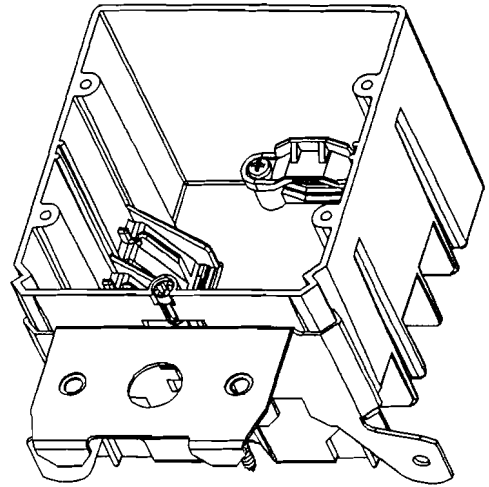


This information provided by:

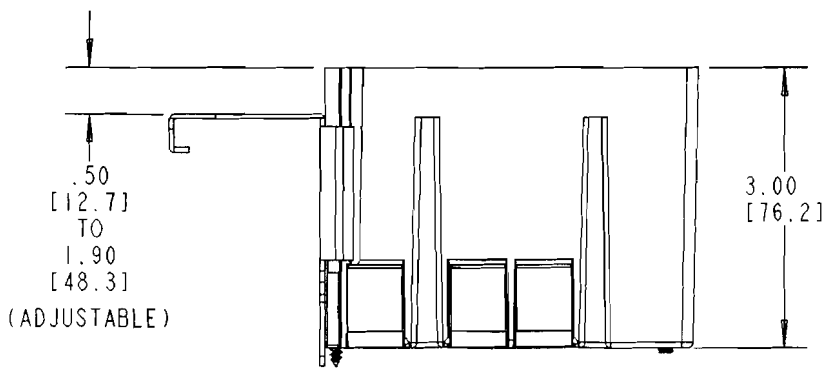
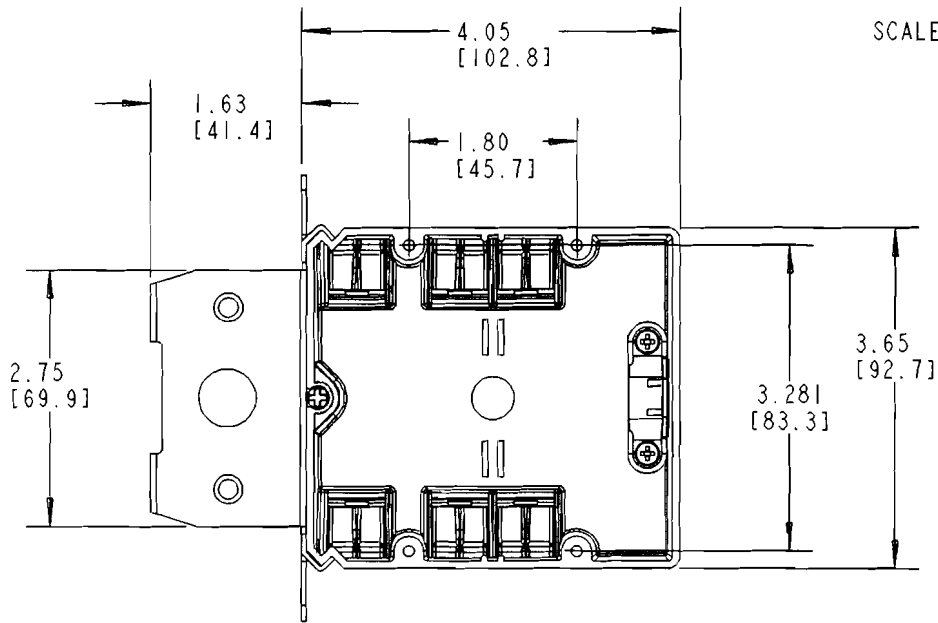


Gross Automation
www.grossautomation.com

Call Toll Free:
800-349-5827



SCALE 0.500



TITLE 2 GANG ADJUSTABLE OUTLET BOX ASSY W/220 V CLAMP

DRN DPR DATE 7-3-02

PART NO: B234ADJC

LAMSON & SESSIONS

ALL DRAWINGS ARE THE PROPERTY OF LAMSON & SESSIONS AND SHALL NOT BE REPRODUCED IN ANY FORM WITHOUT LAMSON & SESSIONS' APPROVAL AND ARE TO BE PROMPTLY RETURNED UPON REQUEST.

APP. MR DATE 7-9-02

DRAWING NO: AC04193

REV. A