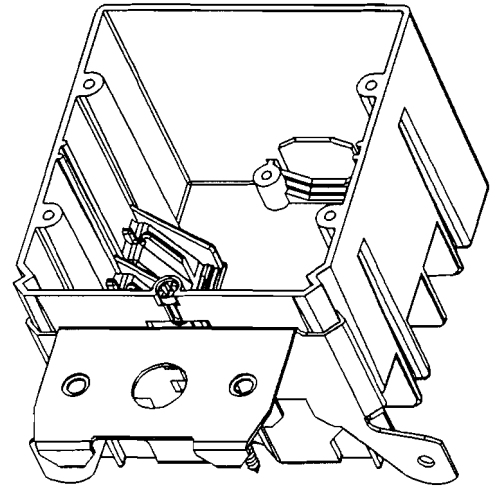


This information provided by:

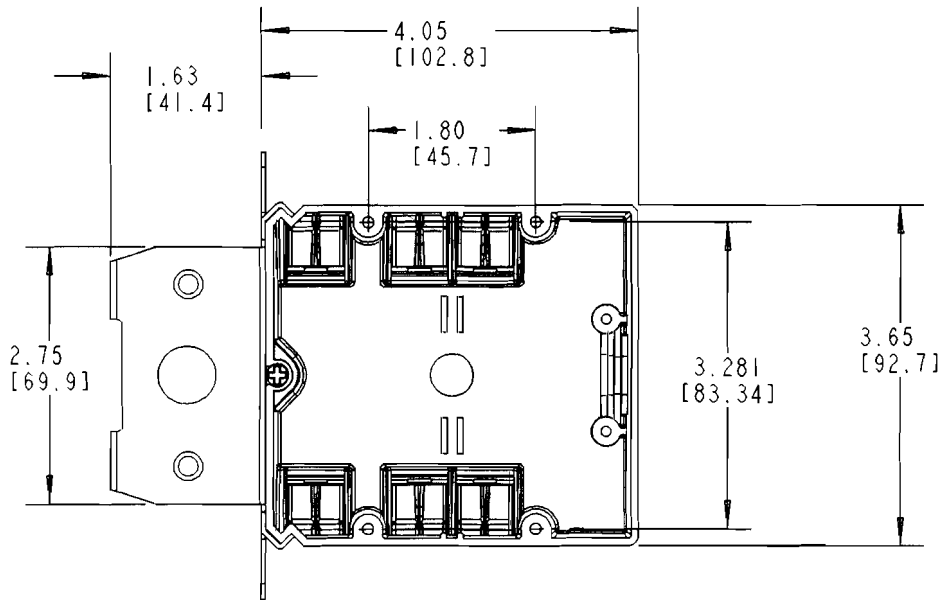


Gross Automation
www.grossautomation.com

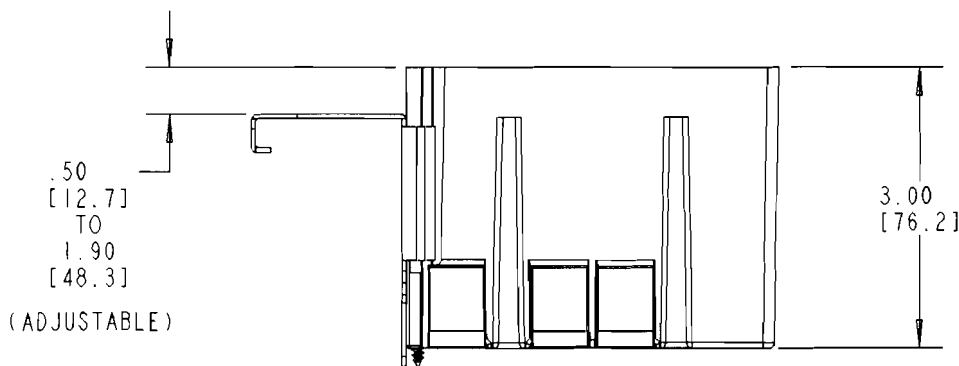
Call Toll Free:
800-349-5827



SCALE 0.500



SCALE 0.500



TITLE 2 GANG ADJUSTABLE OUTLET BOX ASSEMBLY		DRN DPR	DATE 7-3-02	PART NO: B234ADJ
LAMSON & SESSIONS	ALL DRAWINGS ARE THE PROPERTY OF LAMSON & SESSIONS AND SHALL NOT BE REPRODUCED IN ANY FORM WITHOUT LAMSON & SESSIONS' APPROVAL AND ARE TO BE PROMPTLY RETURNED UPON REQUEST.	APP. MR	DATE 7-9-02	DRAWING NO: AC04194
				REV. A