

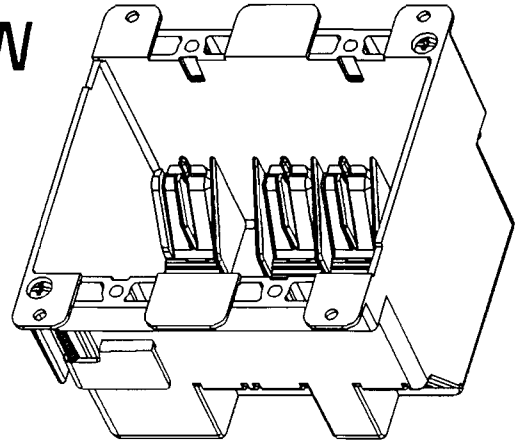
This information provided by:



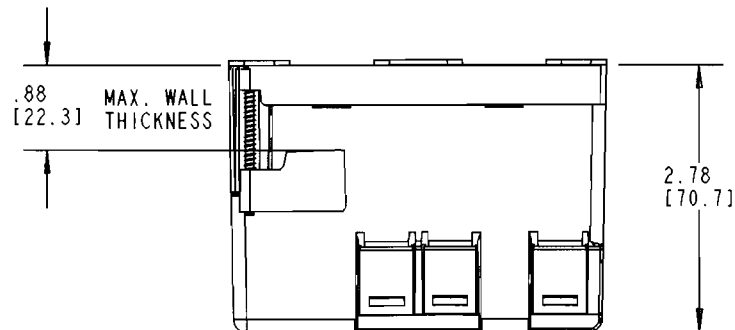
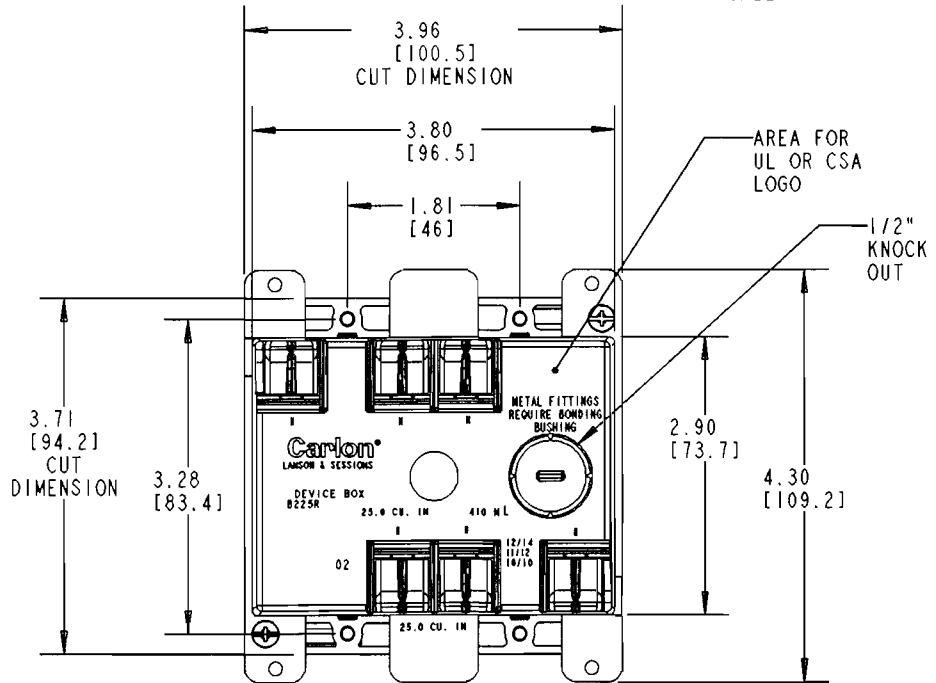
Gross Automation
www.grossautomation.com

Call Toll Free:
800-349-5827

CARLON



SCALE 0.500



NOTE:
1. DIMENSIONS ARE INCH/METRIC.

TITLE: 25 CU. IN VOL. OLD WORK BOX		DRN: MSC	DATE: 11/30/94	PART NO: B225R/CB225R	
LAMSON & SESSIONS	ALL DRAWINGS ARE THE PROPERTY OF LAMSON & SESSIONS AND SHALL NOT BE REPRODUCED IN ANY FORM WITHOUT LAMSON & SESSIONS' APPROVAL AND ARE TO BE PROMPTLY RETURNED UPON REQUEST.	APP: DM	DATE: 6-27-96	DRAWING NO: AC02072	REV. A