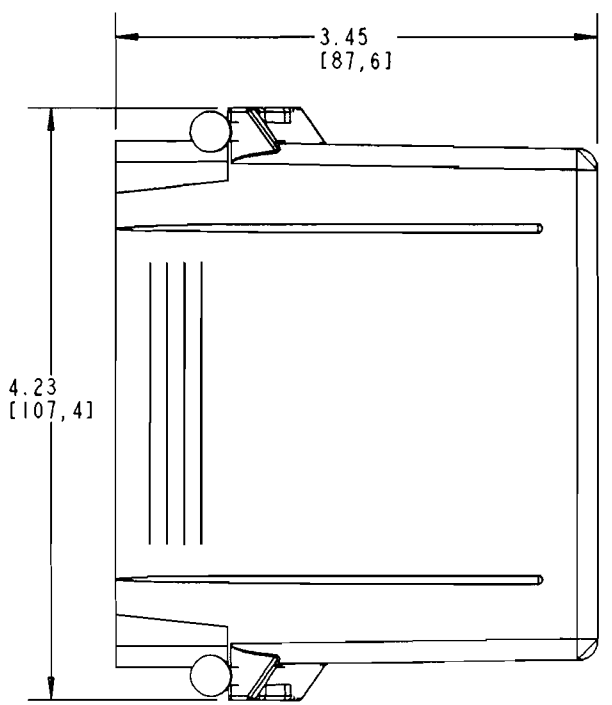
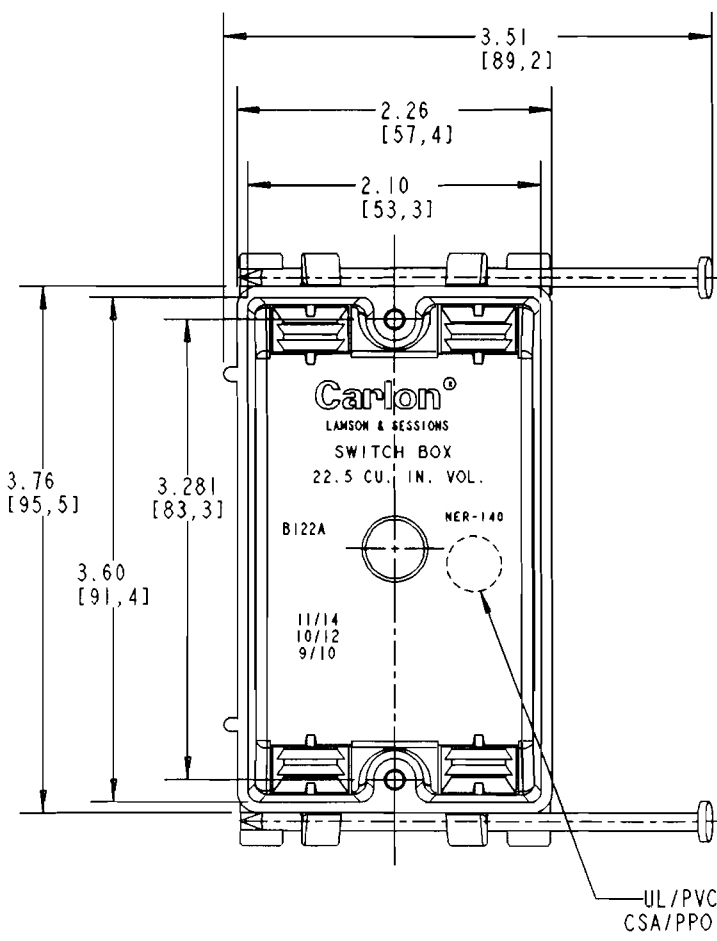
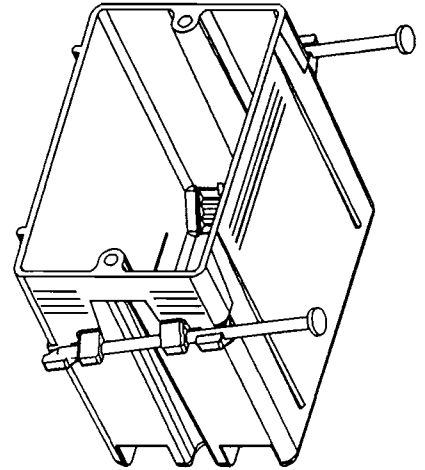


This information provided by:



Gross Automation  
[www.grossautomation.com](http://www.grossautomation.com)

Call Toll Free:  
**800-349-5827**



NOTE:  
 1. SUPPORT NAILS INCLUDED.  
 2. DIMENSIONS ARE INCH/METRIC.

TITLE		ZIP BOX 22.5 CU. IN. NAIL-ON	DRN	DATE	PART NO:	B122A	
LAMSON & SESSIONS		ALL DRAWINGS ARE THE PROPERTY OF LAMSON & SESSIONS AND SHALL NOT BE REPRODUCED IN ANY FORM WITHOUT LAMSON & SESSIONS' APPROVAL AND ARE TO BE PROMPTLY RETURNED UPON REQUEST.	MSC	12/2/04	DRAWING NO:		AC02078
			APP.	DATE			
			DM	6-27-96			