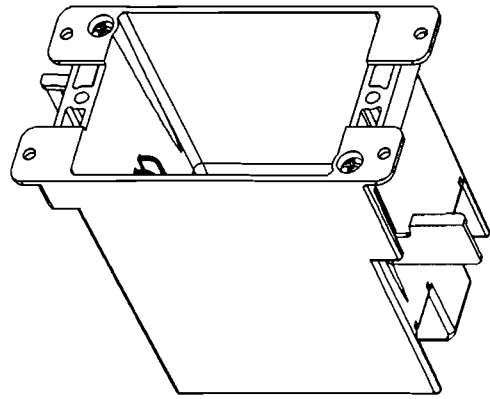


This information provided by:

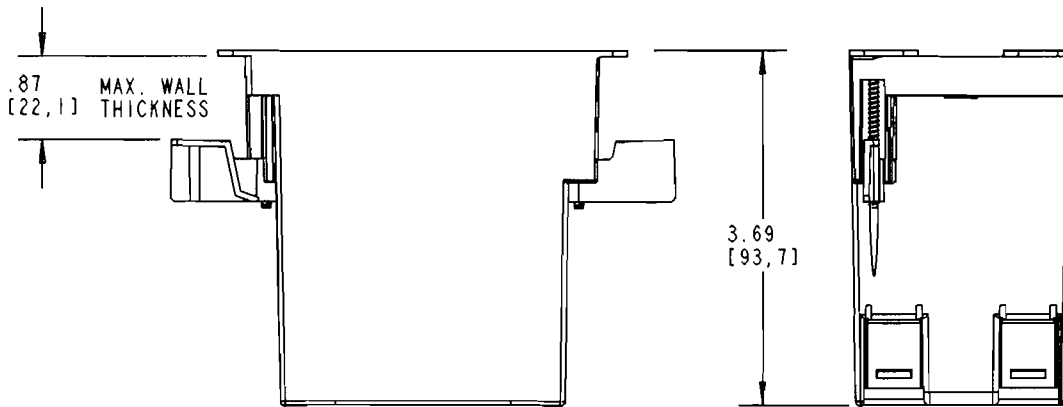
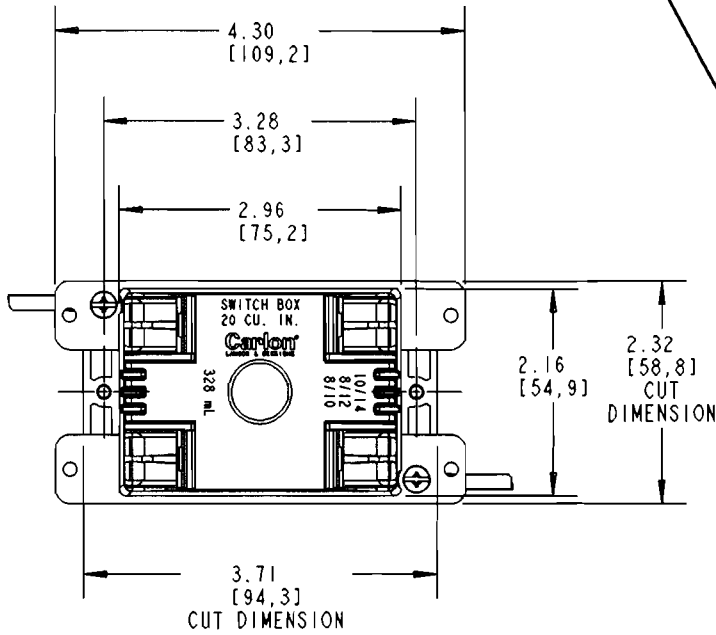


Gross Automation
www.grossautomation.com

Call Toll Free:
800-349-5827



SCALE 0.500



- NOTES:
1. DIMENSIONS ARE SHOWN IN INCHES [MILLIMETERS].
2. PRODUCT IS UL AND C-UL LISTED.

TITLE 20.0 CU. IN. VOL. OLD WORK BOX		DRN. PMW	DATE 10-30-97	PART NO: B120R
LAMSON & SESSIONS	ALL DRAWINGS ARE THE PROPERTY OF LAMSON & SESSIONS AND SHALL NOT BE REPRODUCED IN ANY FORM WITHOUT LAMSON & SESSIONS' APPROVAL AND ARE TO BE PROMPTLY RETURNED UPON REQUEST.	APP. JM	DATE 11-4-97	DRAWING NO: AC03278
				REV. C