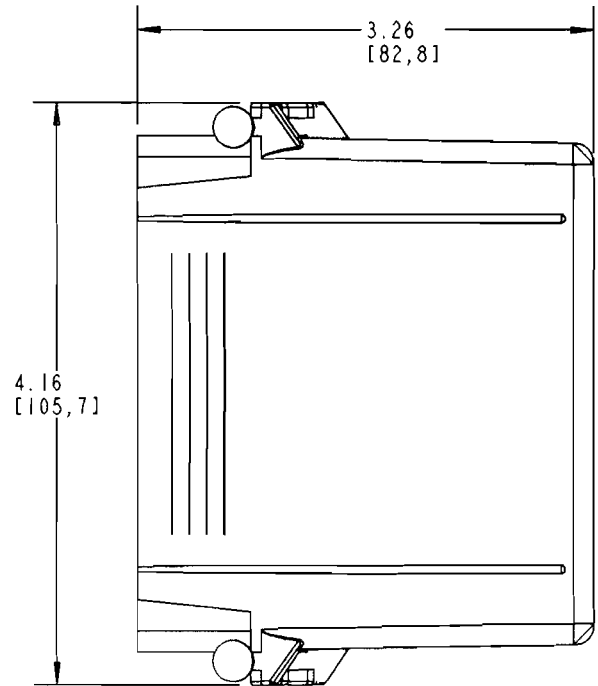
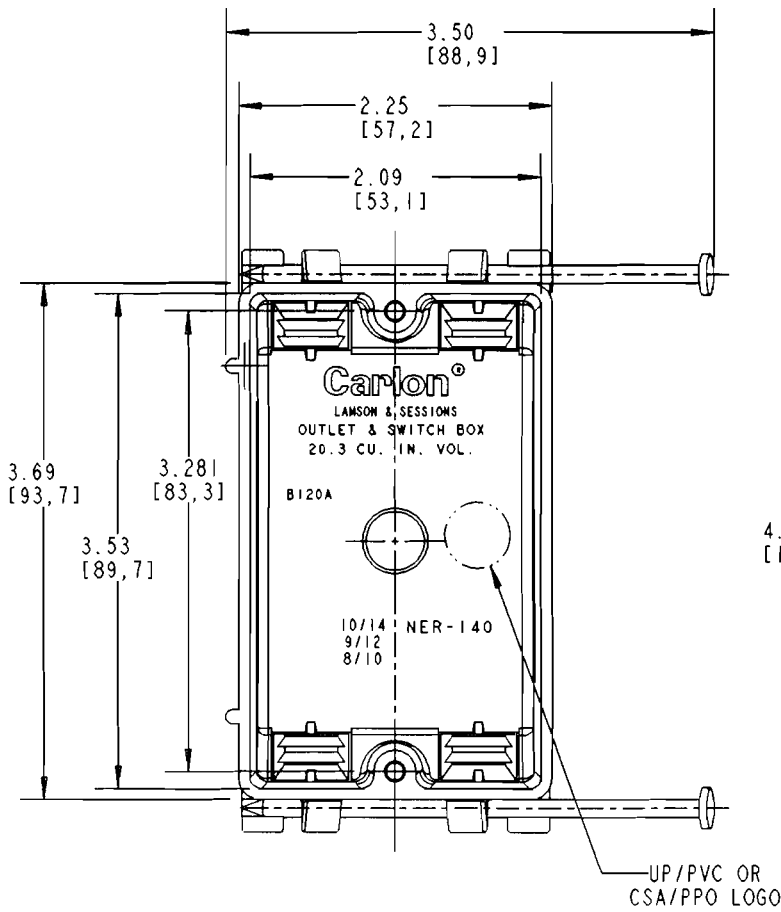
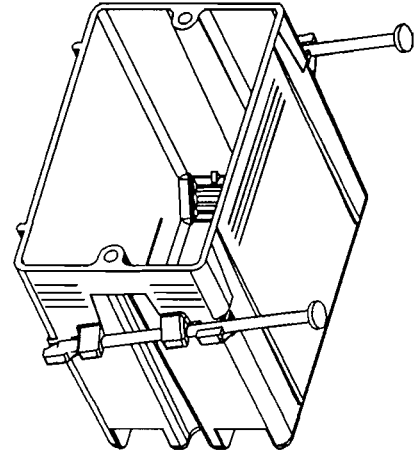


This information provided by:



Gross Automation
www.grossautomation.com

Call Toll Free:
800-349-5827



NOTE:
 1. SUPPORT NAILS INCLUDED.
 2. DIMENSIONS ARE INCH/METRIC.

TITLE		ZIP BOX 20 CU. IN. NAIL-ON		DRN	DATE	PART NO:	
LAMSON & SESSIONS		ALL DRAWINGS ARE THE PROPERTY OF LAMSON & SESSIONS AND SHALL NOT BE REPRODUCED IN ANY FORM WITHOUT LAMSON & SESSIONS' APPROVAL AND ARE TO BE PROMPTLY RETURNED UPON REQUEST.		MSC	12/1/94	B120A/CB120A	
				APP.	DATE	DRAWING NO:	
				DM	6-27-96	AC02075	
						A	