

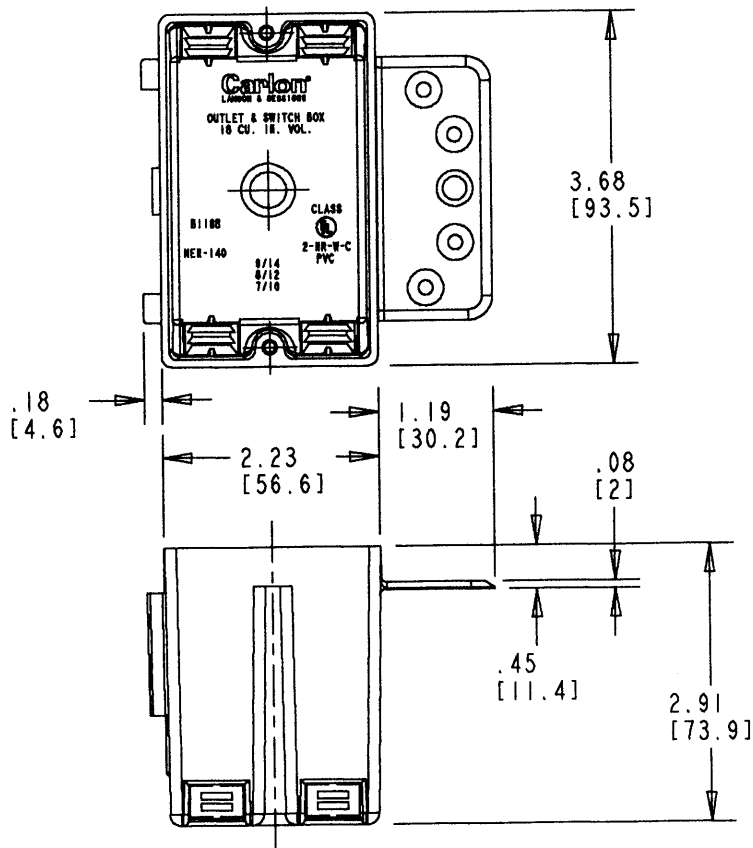
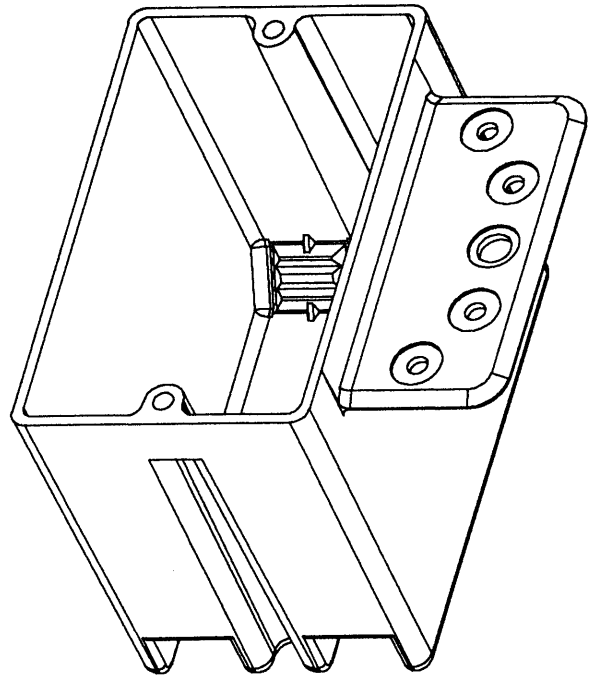
This information provided by:



Gross Automation  
[www.grossautomation.com](http://www.grossautomation.com)

Call Toll Free:  
**800-349-5827**

# CARLON



TITLE 18 CU. IN. VOL. 1-GANG ZIP BOX W/MOLDED BRACKET		DRN. DATE	PART NO:	B118B
LAMSON & SESSIONS		DPR 3-12-99		
ALL DRAWINGS ARE THE PROPERTY OF LAMSON & SESSIONS AND SHALL NOT BE REPRODUCED IN ANY FORM WITHOUT LAMSON & SESSIONS' APPROVAL AND ARE TO BE PROMPTLY RETURNED UPON REQUEST.		APP. DATE	DRAWING NO:	REV. A
			AC03586	