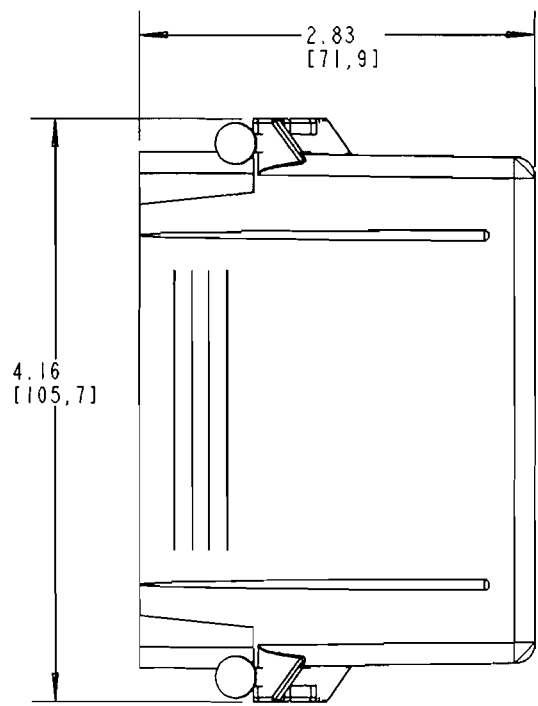
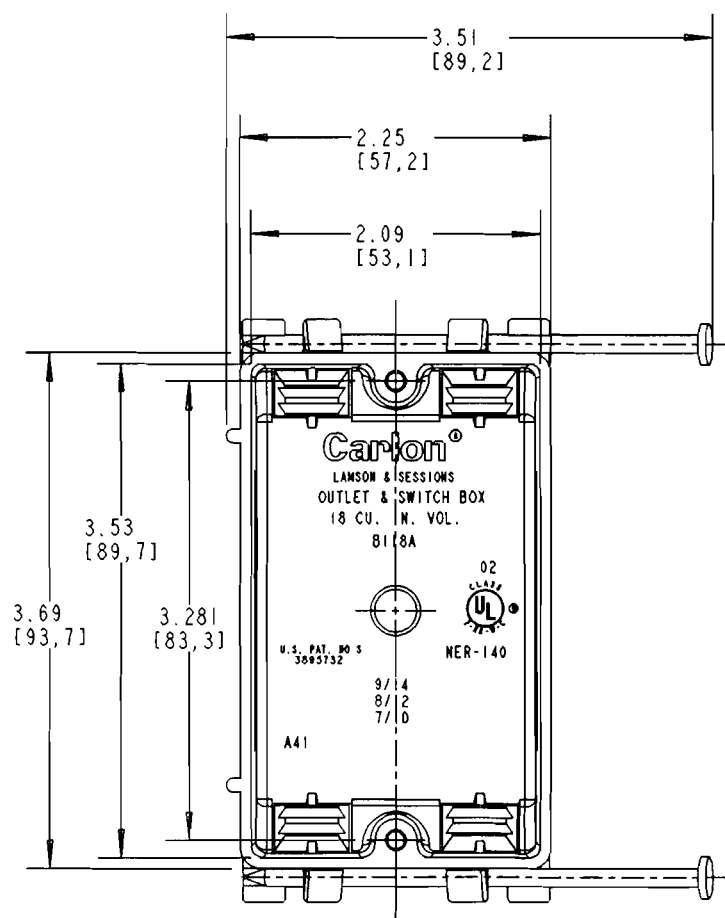
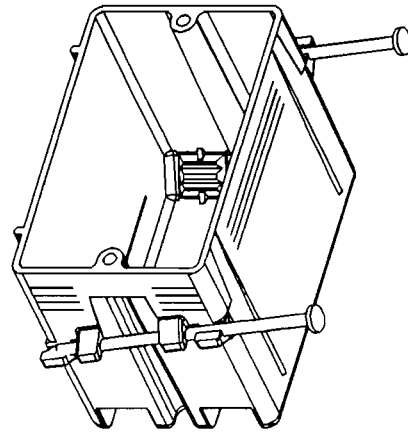


This information provided by:



Gross Automation  
[www.grossautomation.com](http://www.grossautomation.com)

Call Toll Free:  
**800-349-5827**



NOTE:  
 1. SUPPORT NAILS INCLUDED.  
 2. DIMENSIONS ARE INCH/METRIC.

TITLE		ZIP BOX, 18 CU. IN. NAIL ON SINGLE	DRN	DATE	PART NO:		
LAMSON & SESSIONS		ALL DRAWINGS ARE THE PROPERTY OF LAMSON & SESSIONS AND SHALL NOT BE REPRODUCED IN ANY FORM WITHOUT LAMSON & SESSIONS' APPROVAL AND ARE TO BE PROMPTLY RETURNED UPON REQUEST.	MSC	12/1/94	B118A		
			APP.	DM	DATE	DRAWING NO:	REV.
				6-27-96	AC02077	A	