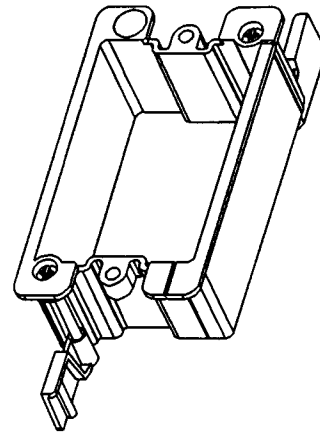
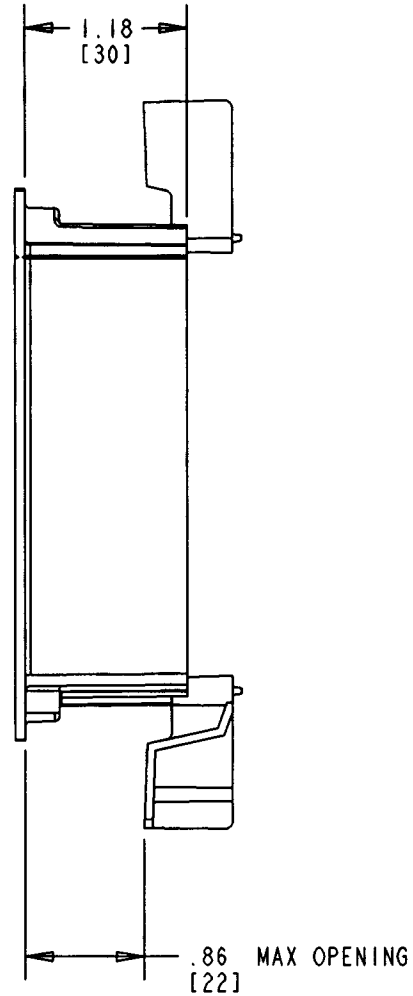
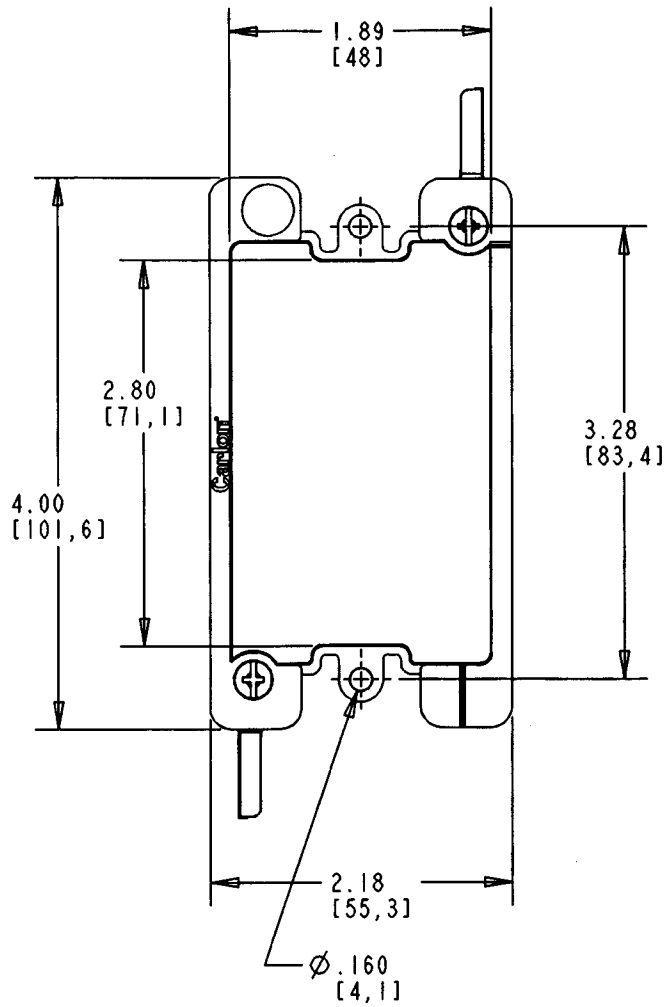


This information provided by:



Gross Automation  
[www.grossautomation.com](http://www.grossautomation.com)

Call Toll Free:  
**800-349-5827**



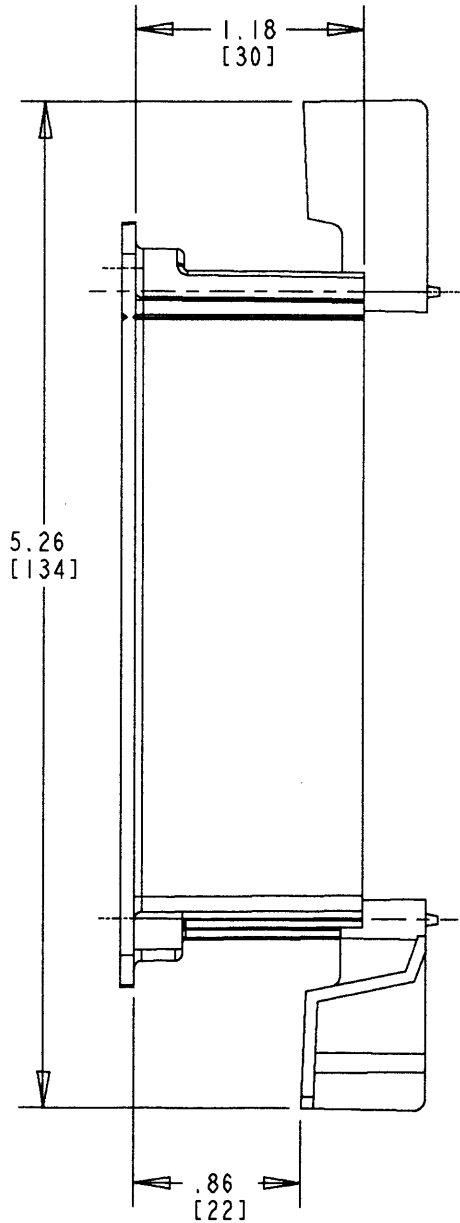
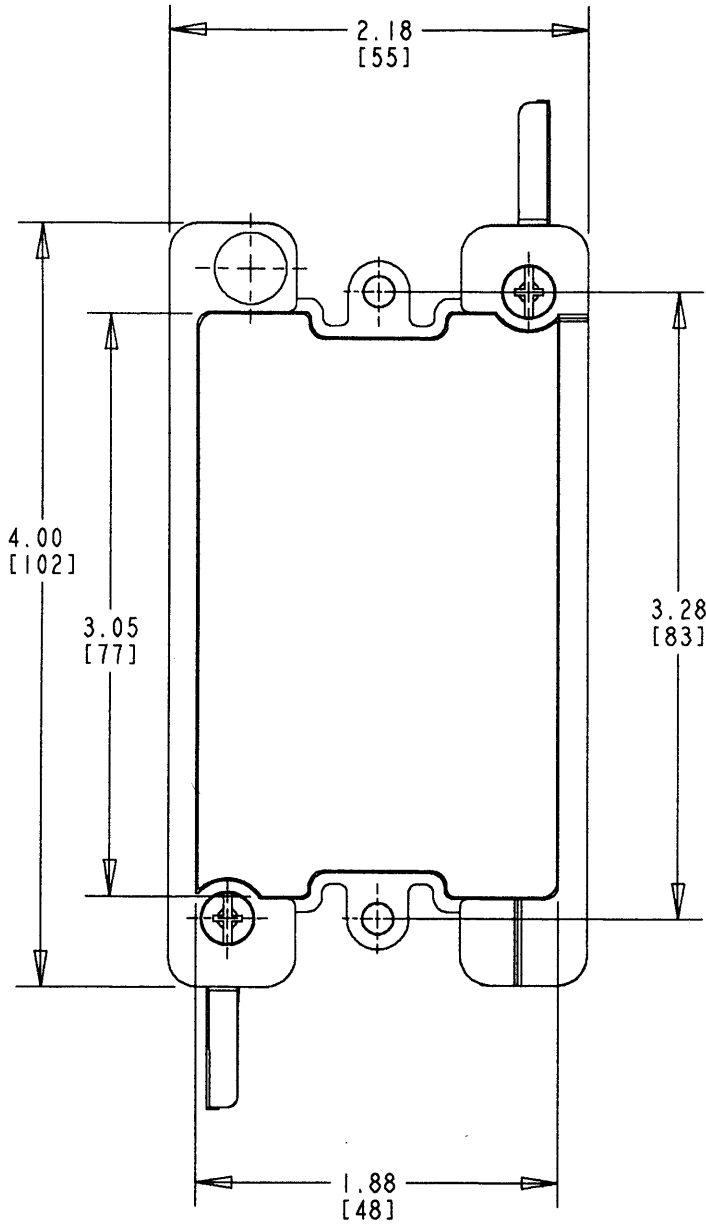
**WARNING: FOR USE WITH LOW VOLTAGE CLASS 2 DEVICES ONLY. DO NOT USE AS A SUBSTITUTE FOR A CONVENTIONAL SWITCH/OUTLET WIRING BOX.**

- NOTES:  
 1. DIMENSIONS ARE SHOWN IN INCHES AND [MILLIMETERS].  
 2. PRODUCT IS ORANGE W/BLE FLIPPERS

SC100R	ORANGE W/BLE FLIPPERS
B100R/B100PB	CARLON BLUE
PART NO.	PRODUCT COLOR

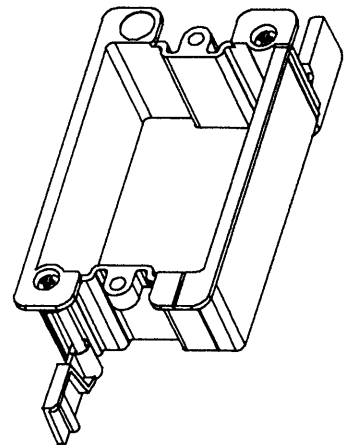
TITLE <b>LOW VOLTAGE DEVICE BRACKET</b>		DRN DPR	DATE 9-16-02	PART NO: <b>SC100R/B100R/B100RB</b>	
<b>LAMSON &amp; SESSIONS</b>	ALL DRAWINGS ARE THE PROPERTY OF LAMSON & SESSIONS AND SHALL NOT BE REPRODUCED IN ANY FORM WITHOUT LAMSON & SESSIONS' APPROVAL AND ARE TO BE PROMPTLY RETURNED UPON REQUEST.	APP.	DATE	DRAWING NO: <b>AC04234</b>	REV. <b>A</b>

# CARLON



**WARNING: FOR USE WITH LOW VOLTAGE CLASS 2 DEVICES ONLY. DO NOT USE AS A SUBSTITUTE FOR A CONVENTIONAL SWITCH/OUTLET WIRING BOX.**

NOTES:  
1. DIMENSIONS ARE IN INCHES [MILLIMETERS]



TITLE <b>LOW VOLTAGE DEVICE BOX</b>		DRN. DPR/PW	DATE 6-28-99	PART NO: <b>B100R</b>
<b>LAMSON &amp; SESSIONS</b>	ALL DRAWINGS ARE THE PROPERTY OF LAMSON & SESSIONS AND SHALL NOT BE REPRODUCED IN ANY FORM WITHOUT LAMSON & SESSIONS' APPROVAL AND ARE TO BE PROMPTLY RETURNED UPON REQUEST.	APP.	DATE	DRAWING NO: <b>AC03192</b>
		<i>M.R.</i>	<i>6-27-99</i>	REV.