

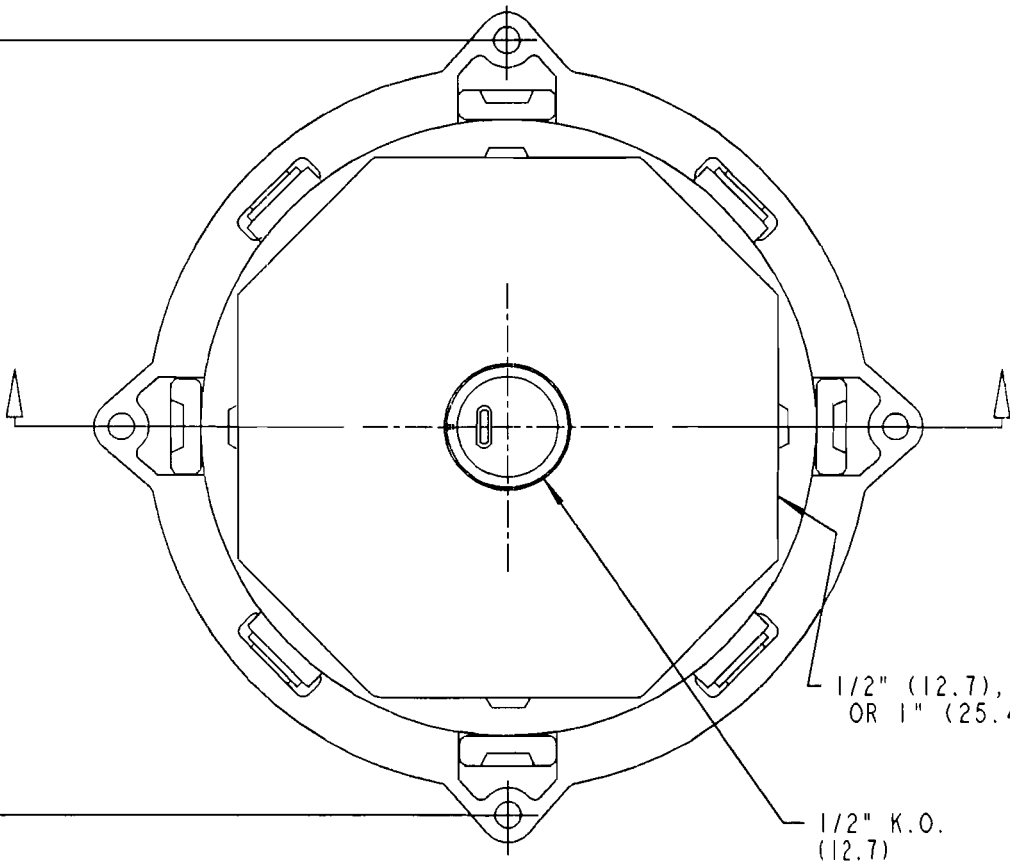
This information provided by:



Gross Automation
www.grossautomation.com

Call Toll Free:
800-349-5827

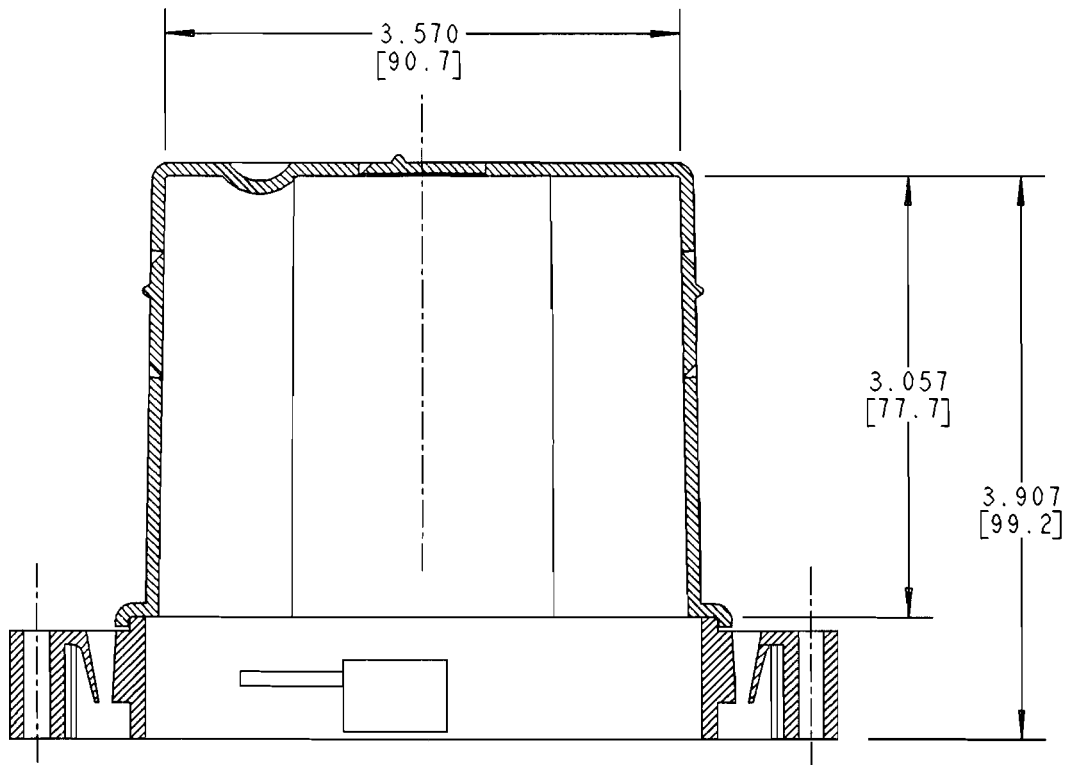
5.384
[136.8]



1/2" (12.7), 3/4" (19.1)
OR 1" (25.4) K.O.

1/2" K.O.
(12.7)

3.570
[90.7]



3.057
[77.7]

3.907
[99.2]

VOL. = 44 CU. IN. (721.2 ML)

TITLE	4" (101.6) MUDBOX	DRN	DATE	PART NO:	A864	
LAMSON & SESSIONS	ALL DRAWINGS ARE THE PROPERTY OF LAMSON & SESSIONS AND SHALL NOT BE REPRODUCED IN ANY FORM WITHOUT LAMSON & SESSIONS' APPROVAL AND ARE TO BE PROMPTLY RETURNED UPON REQUEST.	RO	6/18/95	DRAWING NO:	AC02343	REV.
		APP.	DATE			B
		DM	7/10/95			