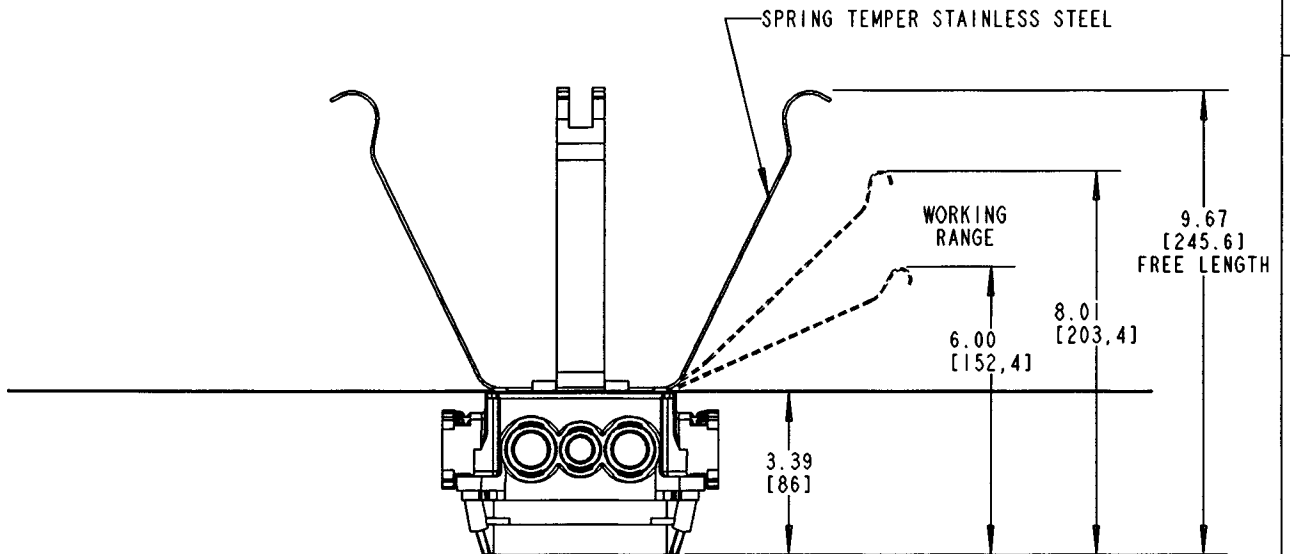
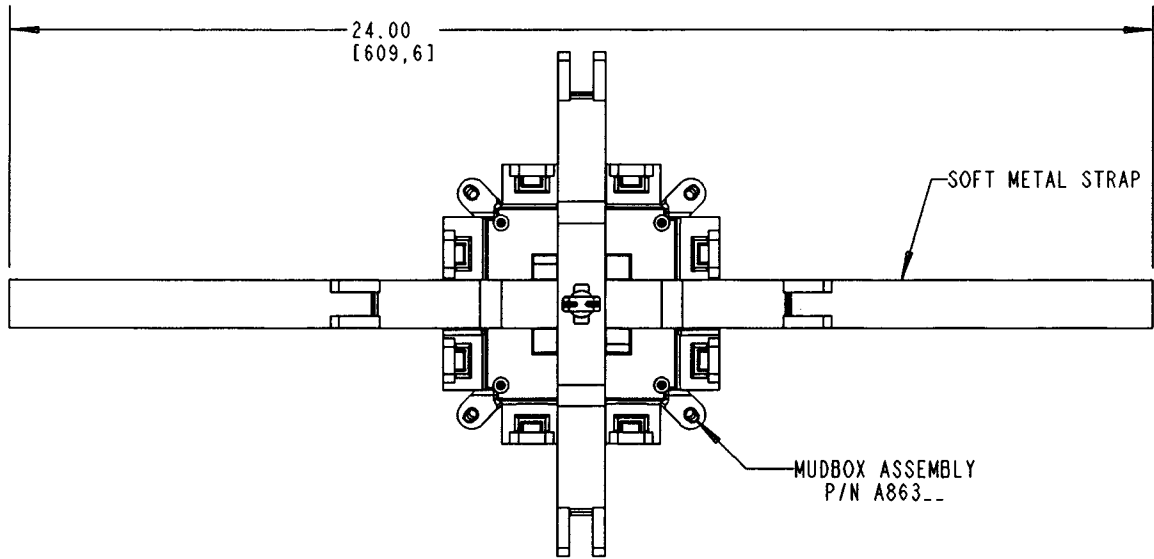
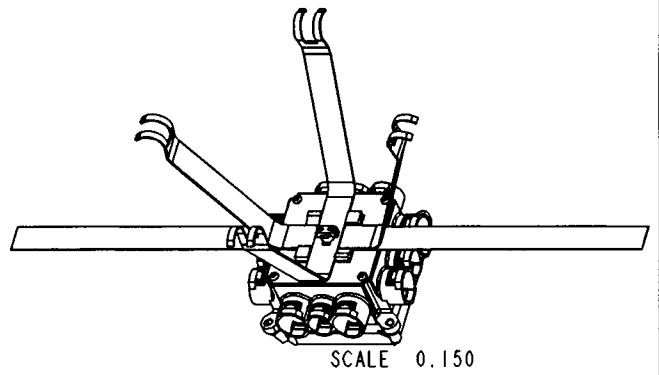


This information provided by:



Gross Automation
www.grossautomation.com

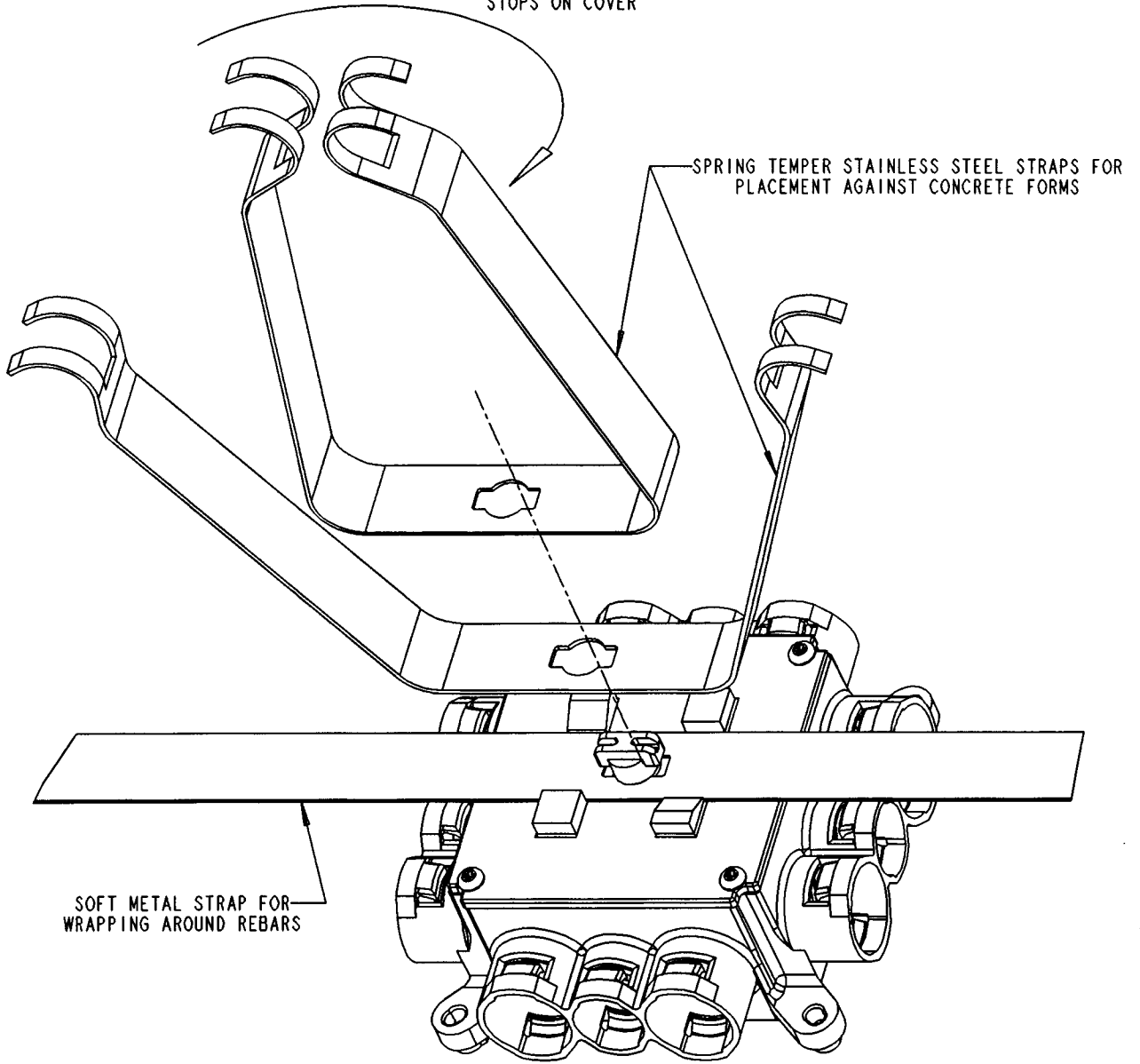
Call Toll Free:
800-349-5827



- NOTE:
1. ALL DIMENSIONS ARE IN INCH[MILLIMETERS].
 2. SEE SHEET 2 FOR ASSEMBLY INSTRUCTIONS.

TITLE		4" SQ. MUDBOX ASSEMBLY W/STRAPS		DRN	DATE	PART NO:	
LAMSON & SESSIONS		ALL DRAWINGS ARE THE PROPERTY OF LAMSON & SESSIONS AND SHALL NOT BE REPRODUCED IN ANY FORM WITHOUT LAMSON & SESSIONS' APPROVAL AND ARE TO BE PROMPTLY RETURNED UPON REQUEST.		DPR	5-1-03	A863MB	
				APP.	DATE	DRAWING NO:	REV.
				EGH	5-14-03	AC04395 SHEET 1 OF 2	A

SQUEEZE THE STAINLESS STEEL STRAP AND PLACE ON TOP OF THE OTHER STRAPS, ROTATE CLOCKWISE 90° AND RELEASE WHEN THE STRAP IS LOCATED BETWEEN STOPS ON COVER



TITLE		4" SQ. MUDBOX ASSEMBLY W/STRAPS	DRN	DATE	PART NO:	A863MB	
LAMSON & SESSIONS		ALL DRAWINGS ARE THE PROPERTY OF LAMSON & SESSIONS AND SHALL NOT BE REPRODUCED IN ANY FORM WITHOUT LAMSON & SESSIONS' APPROVAL AND ARE TO BE PROMPTLY RETURNED UPON REQUEST.	DPR	5-10-03	DRAWING NO:		AC04395
			EGH	5-14-03	SHEET 2 OF 2		REV. A