

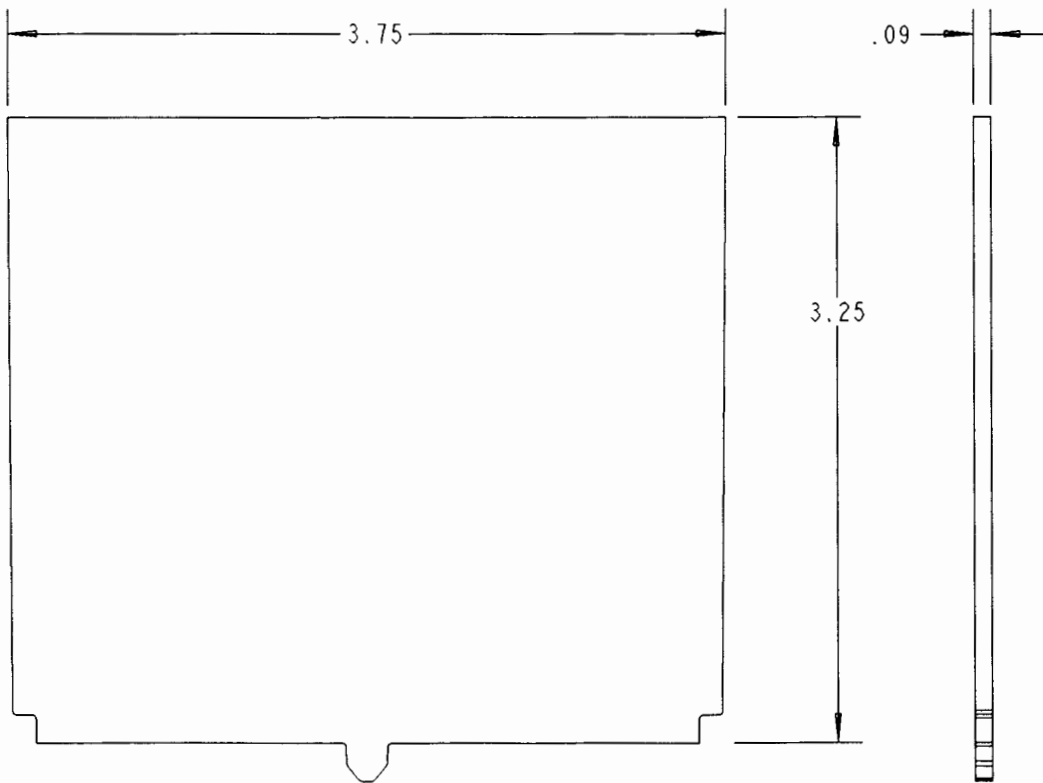
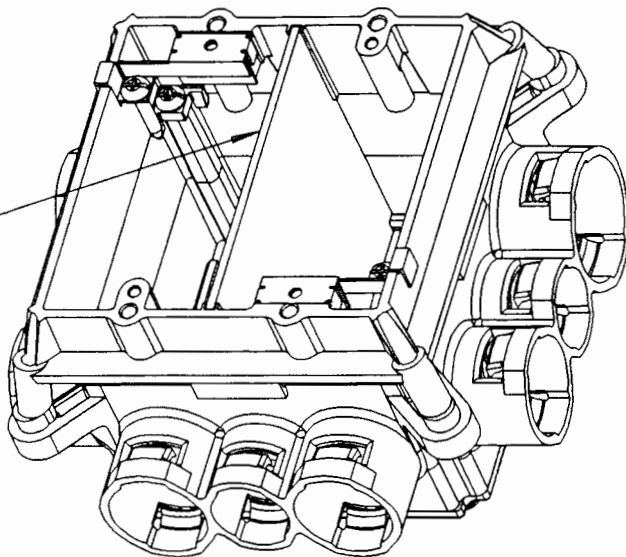
This information provided by:



Gross Automation  
[www.grossautomation.com](http://www.grossautomation.com)

Call Toll Free:  
**800-349-5827**

DIVIDER P/N A863DIV  
 (DIVIDER IS FOR USE  
 ON CARLON ENT ELECTRICAL  
 MUDBOX P/N A863D OR A863DG)



SCALE 1.000

TITLE: DIVIDER - ENT MUDBOX		DRN: RG	DATE: 8/30/04	PART NO: A863DIV	
LAMSON & SESSIONS	ALL DRAWINGS ARE THE PROPERTY OF LAMSON & SESSIONS AND SHALL NOT BE REPRODUCED IN ANY FORM WITHOUT LAMSON & SESSIONS' APPROVAL AND ARE TO BE PROMPTLY RETURNED UPON REQUEST.	APP: CHR	DATE: 8/30/04	DRAWING NO: AC04608	REV.