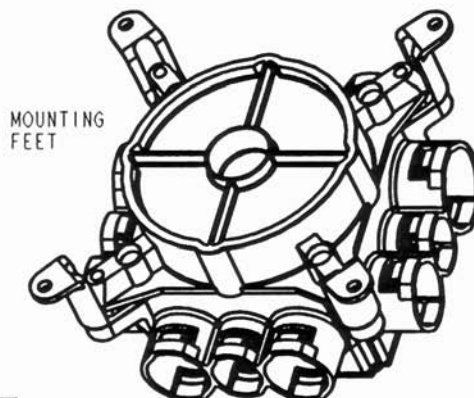
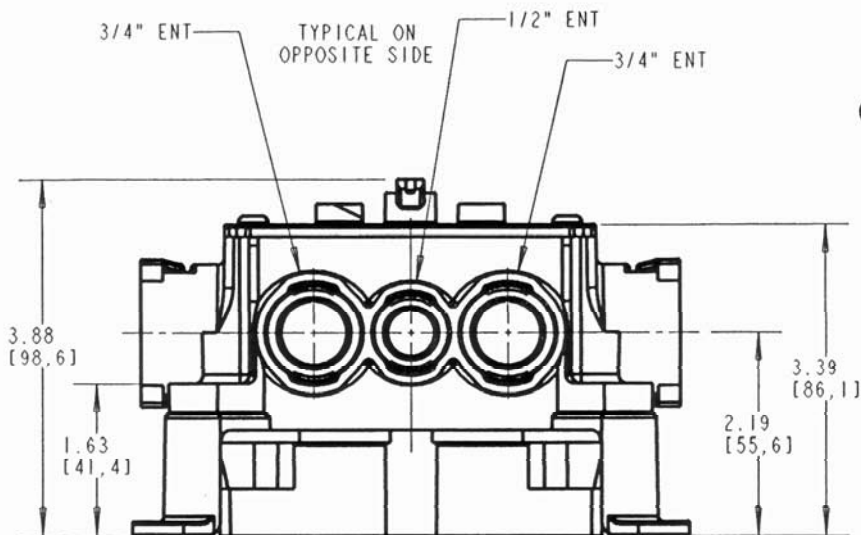


This information provided by:

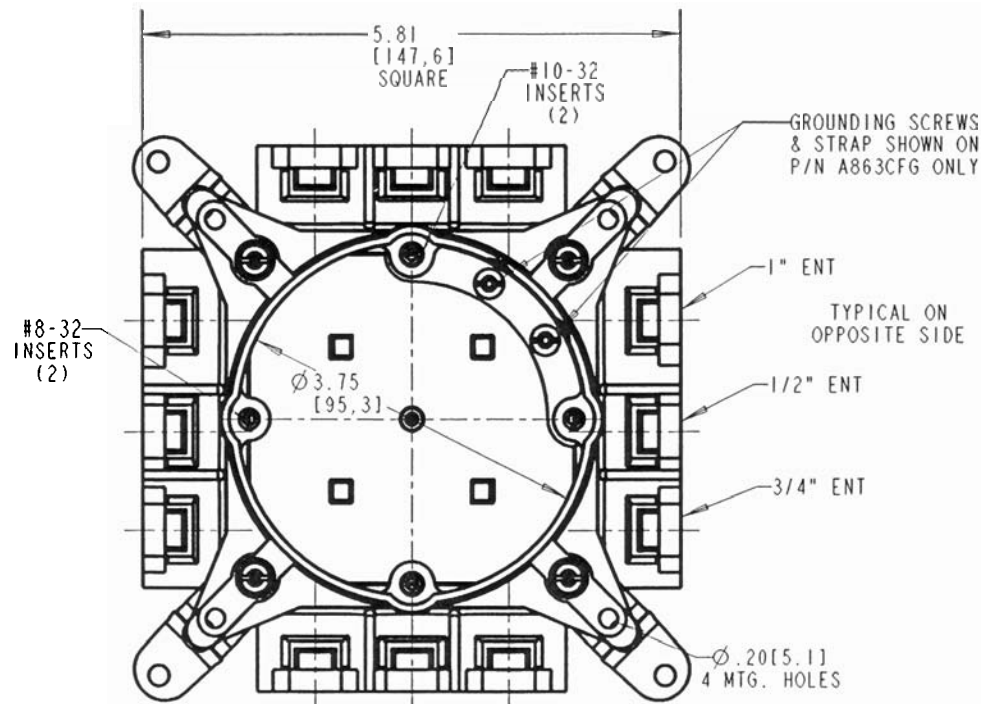


Gross Automation
www.grossautomation.com

Call Toll Free:
800-349-5827



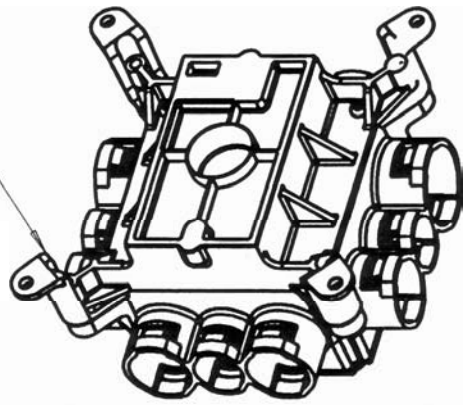
PART NUMBER	ADDITIONAL (4) MOUNTING FEET
A863CF	NO
A863CFG	NO
A863CFF	YES
A863CFGF	YES



NOTE:

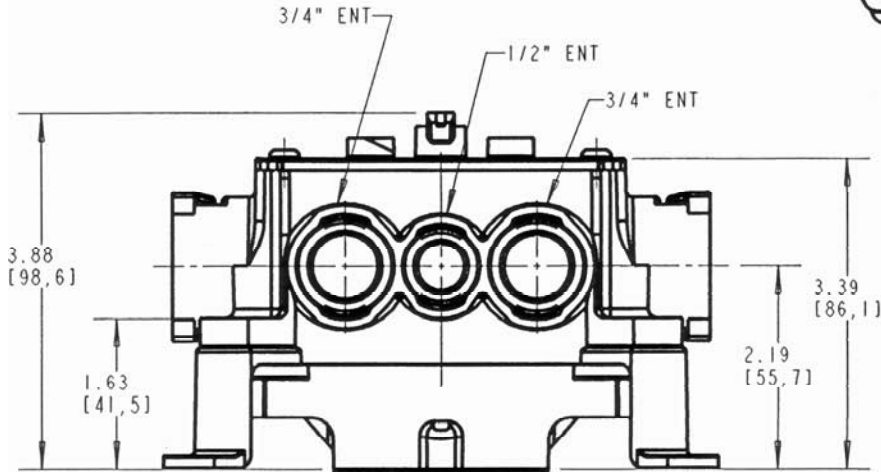
1. ALL DIMENSIONS ARE IN INCH(MILLIMETERS).
2. MATERIAL IS BLUE THERMOPLASTIC
3. P/N A863CF IS WITHOUT GROUND.
4. BOX IS UL LISTED FOR FIXTURE SUPPORT UP TO 50 LBS.
5. BOX IS UL LISTED FOR CEILING FAN SUPPORT UP TO 35 LBS.
6. TWO #8-32 SCREWS SUPPLIED WITH BOX FOR MOUNTING CEILING FAN.

TITLE: CEILING FAN & FIXTURE SUPPORT MUDBOX		DRN: DPR	DATE: 5-1-03	PART NO: SEE CHART
LAMSON & SESSIONS	ALL DRAWINGS ARE THE PROPERTY OF LAMSON & SESSIONS AND SHALL NOT BE REPRODUCED IN ANY FORM WITHOUT LAMSON & SESSIONS' APPROVAL AND ARE TO BE PROMPTLY RETURNED UPON REQUEST	APP: EGH	DATE: 5-14-03	DRAWING NO: AC04391
				SHEET 1 OF 5
				REV. C

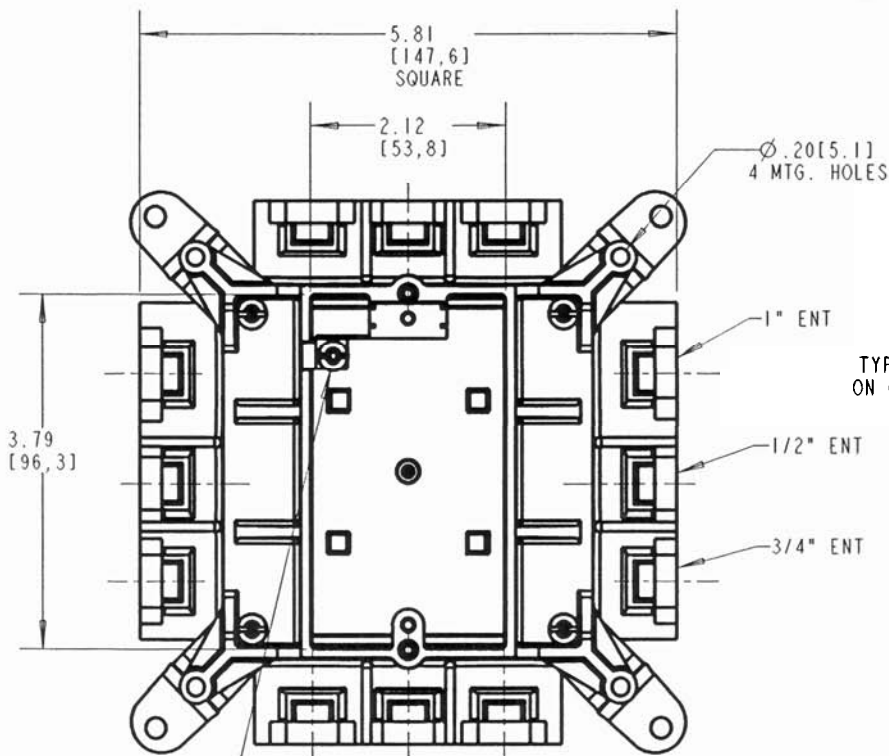


MOUNTING FEET

TYPICAL PATTERN ON OPPOSITE SIDE



PART NUMBER	ADDITIONAL (4) MOUNTING FEET
A863S	NO
A863SG	NO
A863SF	YES
A863SGF	YES

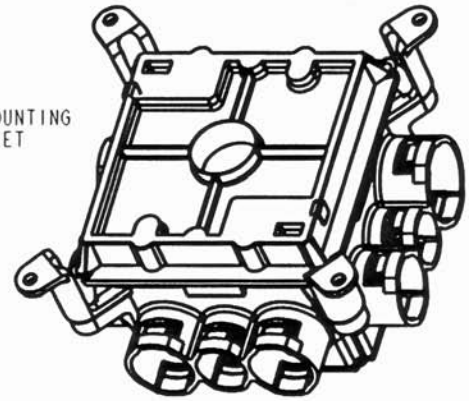


TYPICAL PATTERN ON OPPOSITE SIDE

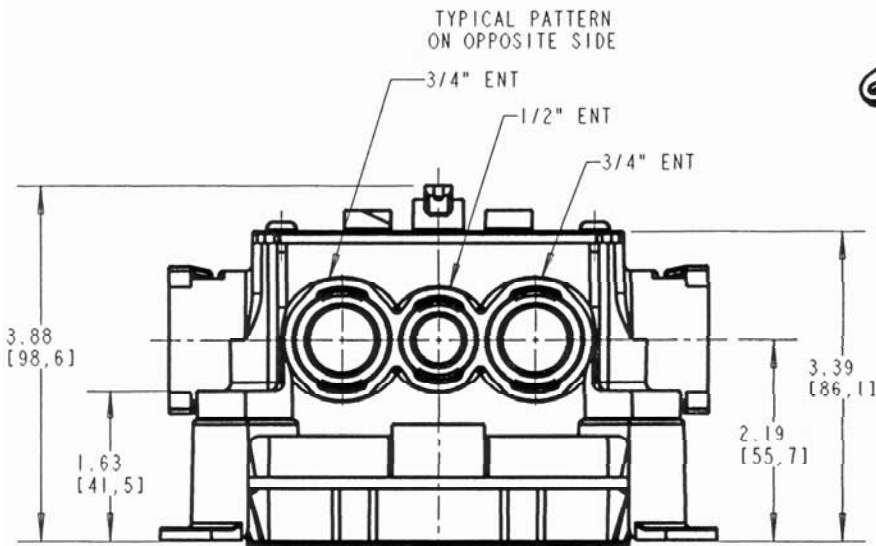
GROUNDING LUG & SCREW FOR P/N A863SG ONLY

- NOTE:
1. ALL DIMENSIONS ARE IN INCH[MILLIMETERS].
 2. MATERIAL IS BLUE THERMOPLASTIC
 3. P/N A863S IS WITHOUT GROUND.

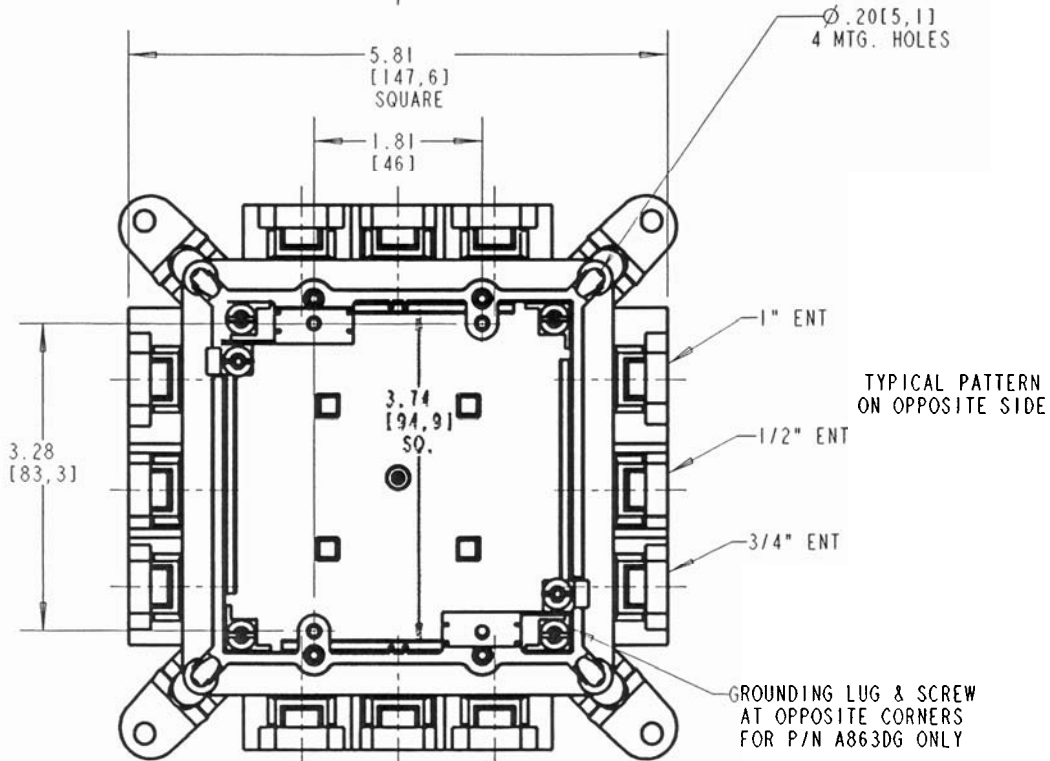
TITLE: SINGLE GANG MUDBOX		DRN: DPR	DATE: 5-1-03	PART NO: SEE CHART
LAMSON & SESSIONS	ALL DRAWINGS ARE THE PROPERTY OF LAMSON & SESSIONS AND SHALL NOT BE REPRODUCED IN ANY FORM WITHOUT LAMSON & SESSIONS' APPROVAL AND ARE TO BE PROMPTLY RETURNED UPON REQUEST.	APP: EGH	DATE: 5-13-03	DRAWING NO: AC04391
				SHEET 2 OF 5
				REV. C



MOUNTING FEET

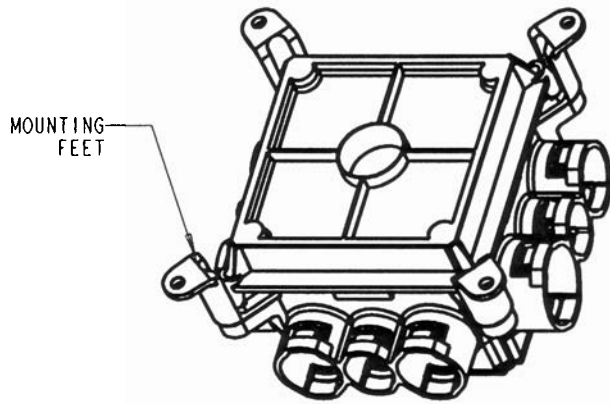


PART NUMBER	ADDITIONAL (4) MOUNTING FEET
A863D	NO
A863DG	NO
A863DF	YES
A863DGF	YES

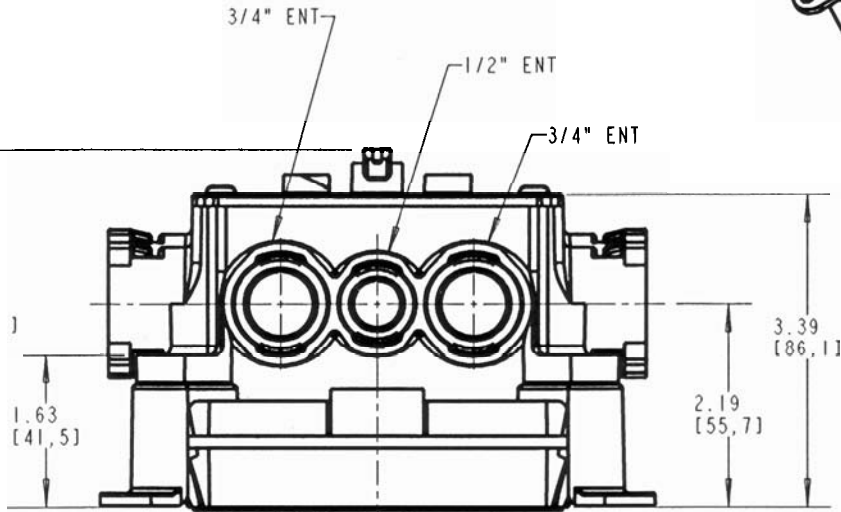


- NOTE:
1. ALL DIMENSIONS ARE IN INCH(MILLIMETERS)
 2. MATERIAL IS BLUE THERMOPLASTIC
 3. P/N A863D IS WITHOUT GROUND.

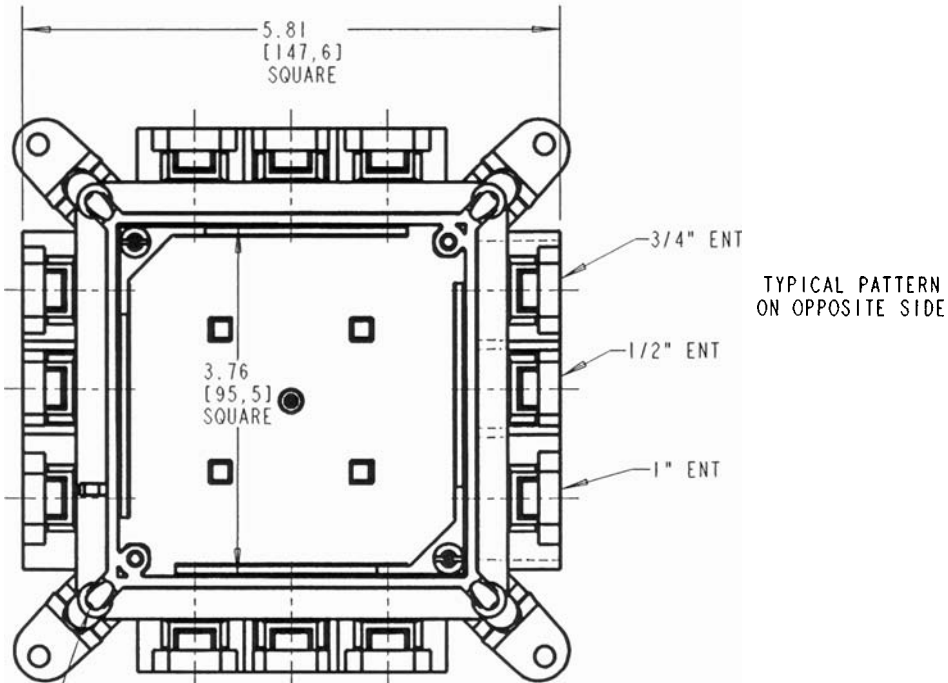
TITLE: 2-GANG MUDBOX		DRN: DPR	DATE: 5-1-03	PART NO: SEE CHART	
LAMSON & SESSIONS	ALL DRAWINGS ARE THE PROPERTY OF LAMSON & SESSIONS AND SHALL NOT BE REPRODUCED IN ANY FORM WITHOUT LAMSON & SESSIONS' APPROVAL AND ARE TO BE PROMPTLY RETURNED UPON REQUEST.	APP: EGH	DATE: 5-14-03	DRAWING NO: AC04391	REV. C
				SHEET 3 OF 5	



TYPICAL PATTERN
ON OPPOSITE SIDE



PART NUMBER	ADDITIONAL (4) MOUNTING FEET
A863-4SQ	NO
A863-4SQF	YES

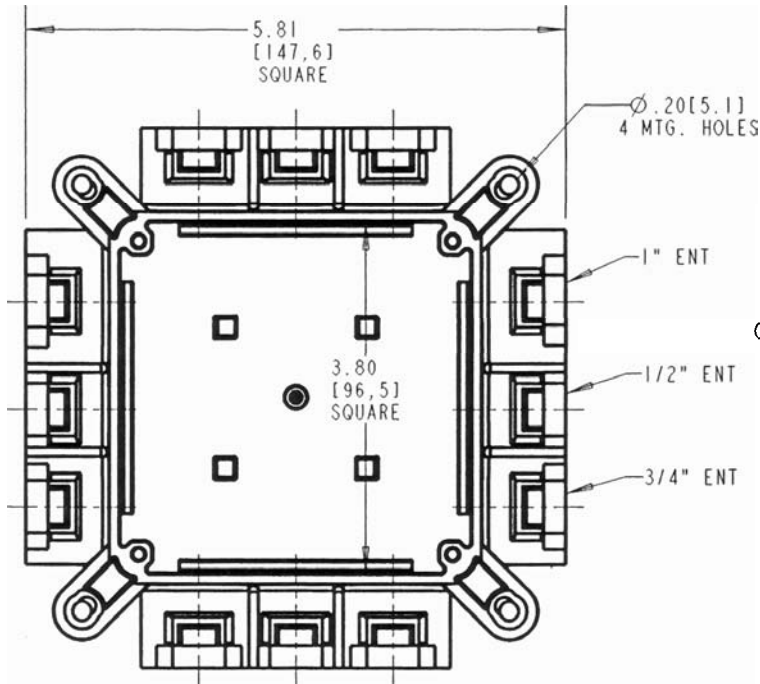
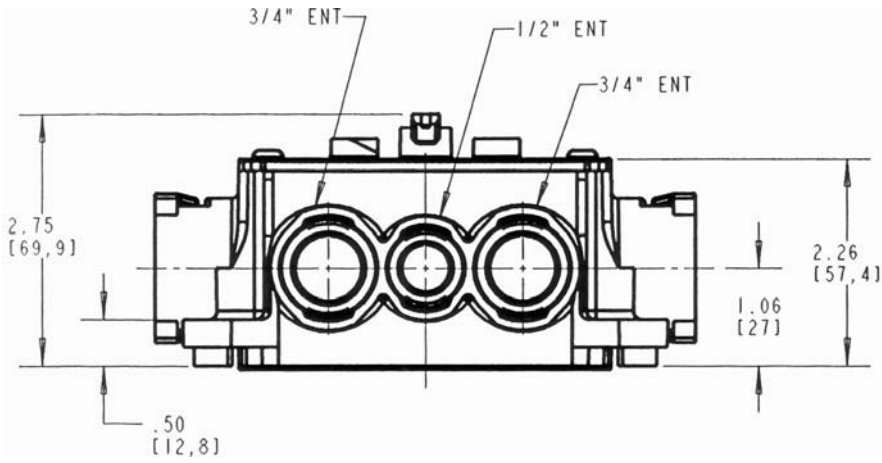
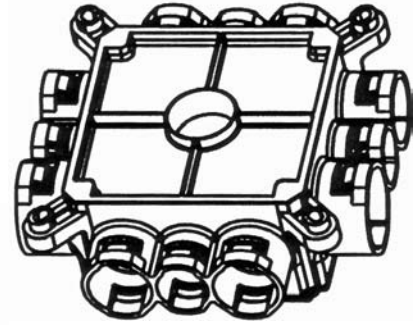


∅ .2015.11
4 MTG. HOLES

NOTE:
1. ALL DIMENSIONS ARE IN INCH(MILLIMETERS)
2. MATERIAL IS BLUE THERMOPLASTIC

TITLE: 4" SQ. MUDBOX		DRN. DPR	DATE 5-1-03	PART NO. SEE CHART
LAMSON & SESSIONS	ALL DRAWINGS ARE THE PROPERTY OF LAMSON & SESSIONS AND SHALL NOT BE REPRODUCED IN ANY FORM WITHOUT LAMSON & SESSIONS' APPROVAL AND ARE TO BE PROMPTLY RETURNED UPON REQUEST.	APP. EGH	DATE 5-13-03	DRAWING NO. AC04391
		SHEET 4 OF 5		

TYPICAL PATTERN
ON OPPOSITE SIDE



TYPICAL PATTERN
ON OPPOSITE SIDE

- NOTE:
 1. ALL DIMENSIONS ARE IN INCH(MILLIMETERS)
 2. MATERIAL IS BLUE THERMOPLASTIC

TITLE: SHALLOW 4" SQ. MUDBOX		DRN: DPR	DATE: 5-1-03	PART NO: A863BC
LAMSON & SESSIONS	ALL DRAWINGS ARE THE PROPERTY OF LAMSON & SESSIONS AND SHALL NOT BE REPRODUCED IN ANY FORM WITHOUT LAMSON & SESSIONS' APPROVAL AND ARE TO BE PROMPTLY RETURNED UPON REQUEST.	APP: EGH	DATE: 5-14-03	DRAWING NO: AC04391
				SHEET 5 OF 5
				REV. C