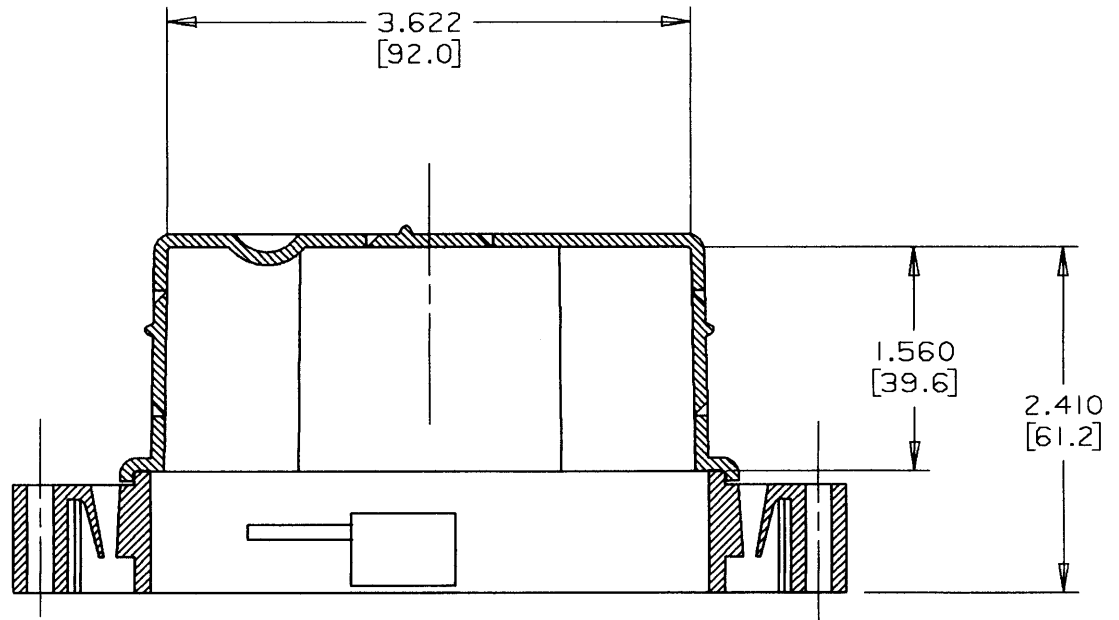
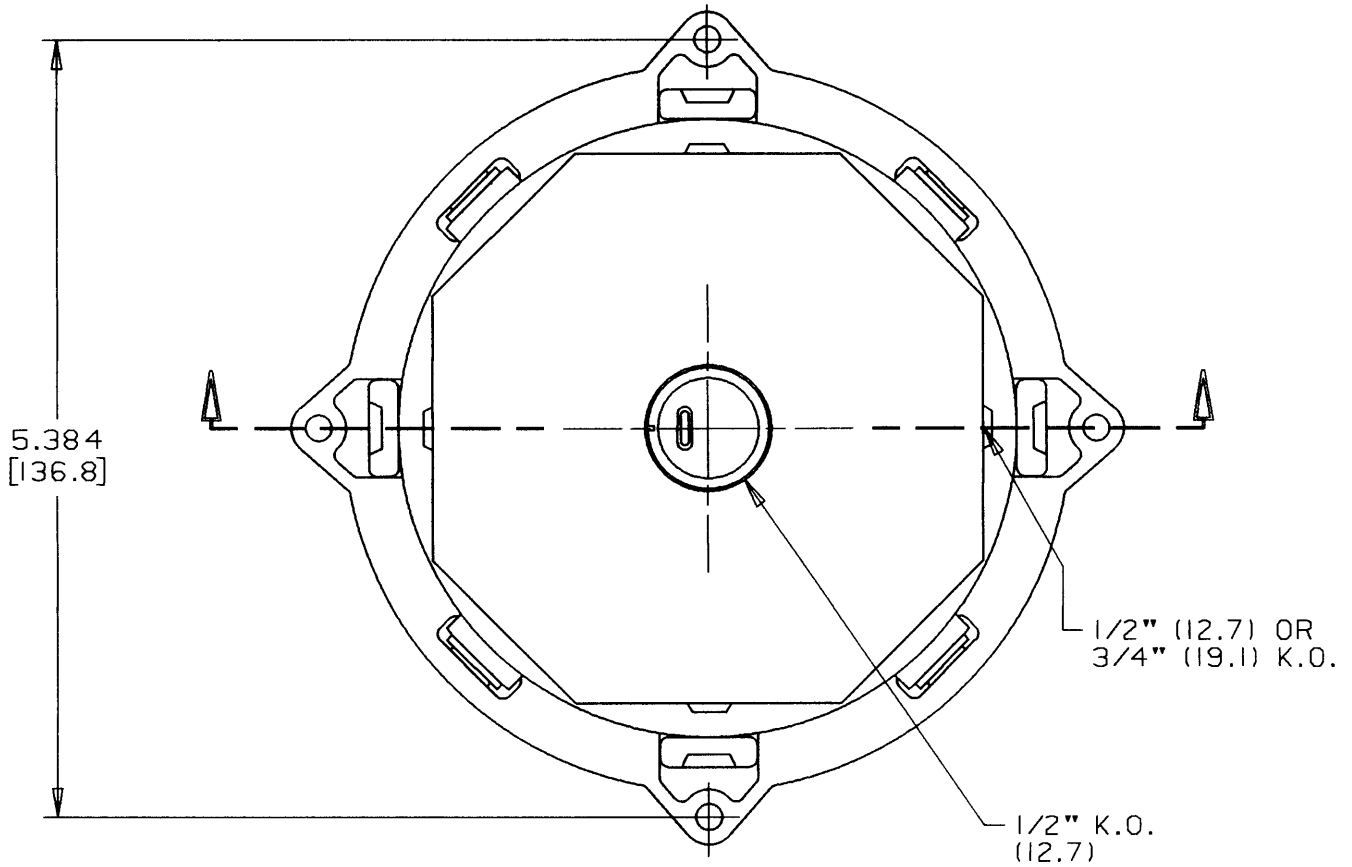


This information provided by:



Gross Automation
www.grossautomation.com

Call Toll Free:
800-349-5827



VOL. = 26 CU.IN. (426 ML)

TITLE: 2-1/2" (63.5) MUD BOX		DRN. RG	DATE 6/19/95	PART NO: A862
LAMSON & SESSIONS	ALL DRAWINGS ARE THE PROPERTY OF LAMSON & SESSIONS AND SHALL NOT BE REPRODUCED IN ANY FORM WITHOUT LAMSON & SESSIONS' APPROVAL AND ARE TO BE PROMPTLY RETURNED UPON REQUEST.	APP. DM	DATE 7/10/95	DRAWING NO: AC02342
				REV. A