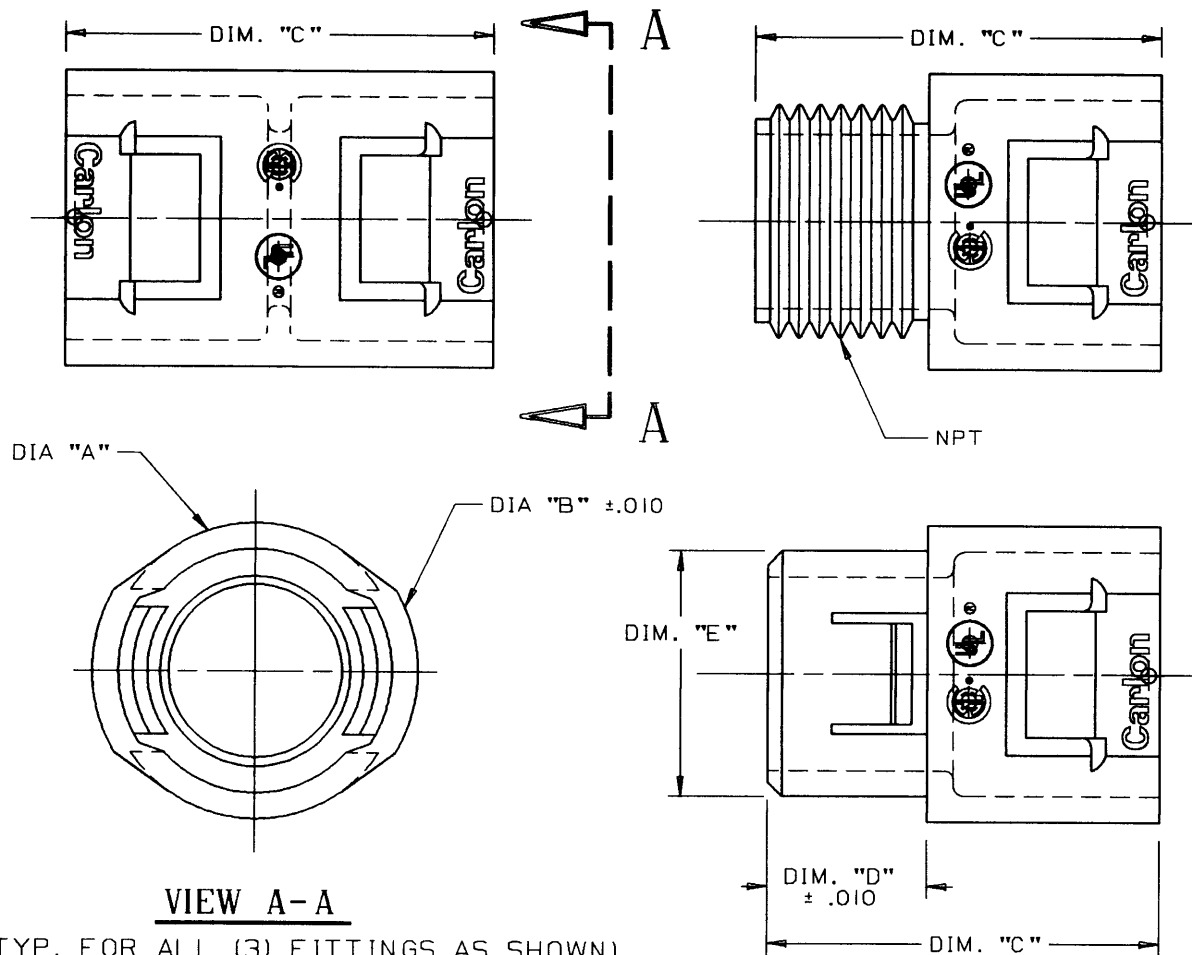


This information provided by:



Gross Automation  
[www.grossautomation.com](http://www.grossautomation.com)

Call Toll Free:  
**800-349-5827**



**VIEW A-A**

(TYP. FOR ALL (3) FITTINGS AS SHOWN)

**NOTES:**

1. MAT'L : LEXAN
2. CHART DIMENSIONS ARE IN INCHES.
3. ONE PIECE ENT QUICK CONNECT COUPLINGS, THREADED ADAPTERS AND SNAP-IN TERMINATOR ADAPTERS ARE SUITABLE FOR DAMP LOCATIONS.
4. QUICK CONNECT COUPLINGS AND THREADED ADAPTERS ARE CONCRETE-TIGHT WHEN USED WITH CARLON ENT. WHEN ONE PIECE QUICK CONNECT SNAP-IN TERMINATOR ADAPTERS ARE INSTALLED IN A CONCRETE APPLICATION, CARLON'S FLAT SEALING WASHERS MUST BE USED ON THE BOX CONNECTION ENDS.

| "ENT COUPLINGS/ADAPTERS" |              |             |             |             |            |             |
|--------------------------|--------------|-------------|-------------|-------------|------------|-------------|
| PART NO.                 | SIZE         | A           | B           | C           | D          | E           |
|                          | IN<br>MM     | IN<br>MM    | IN<br>MM    | IN<br>MM    | IN<br>MM   | IN<br>MM    |
| A240D                    | 1/2"<br>12.7 | 1.026<br>26 | 1.126<br>29 | 1.586<br>40 | —          | —           |
| A240E                    | 3/4"<br>19   | 1.246<br>31 | 1.346<br>34 | 1.856<br>47 | —          | —           |
| A240F                    | 1"<br>25.4   | 1.521<br>39 | 1.621<br>41 | 1.856<br>47 | —          | —           |
| A243D                    | 1/2"<br>12.7 | 1.026<br>26 | 1.126<br>41 | 1.586<br>40 | .563<br>14 | —           |
| A243E                    | 3/4"<br>19   | 1.246<br>32 | 1.346<br>34 | 1.856<br>47 | .563<br>14 | —           |
| A243F                    | 1"<br>25.4   | 1.521<br>39 | 1.621<br>41 | 1.856<br>47 | .688<br>17 | —           |
| A253D                    | 1/2"<br>12.7 | 1.026<br>26 | 1.126<br>41 | 1.406<br>36 | .563<br>14 | .850<br>21  |
| A253E                    | 3/4"<br>19   | 1.246<br>31 | 1.346<br>34 | 1.541<br>39 | .563<br>14 | 1.084<br>27 |
| A253F                    | 1"<br>25.4   | 1.521<br>39 | 1.621<br>41 | 1.666<br>42 | .688<br>17 | 1.354<br>34 |

|   |  |                         |                        |
|---|--|-------------------------|------------------------|
| TITLE: ENT COUPLINGS/ADAPTERS 1/2", 3/4" & 1" |  | DRN. DATE<br>PMW 8/2/95 | PART NO:<br>SEE CHART  |
| LAMSON & SESSIONS                             | ALL DRAWINGS ARE THE PROPERTY OF LAMSON & SESSIONS AND SHALL NOT BE REPRODUCED IN ANY FORM WITHOUT LAMSON & SESSIONS' APPROVAL AND ARE TO BE PROMPTLY RETURNED UPON REQUEST. | APP. DATE<br>DM 12/1/95 | DRAWING NO:<br>AC02379 |
|   |  |                         | REV.<br>A              |